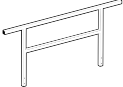



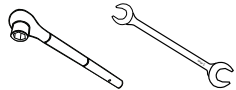


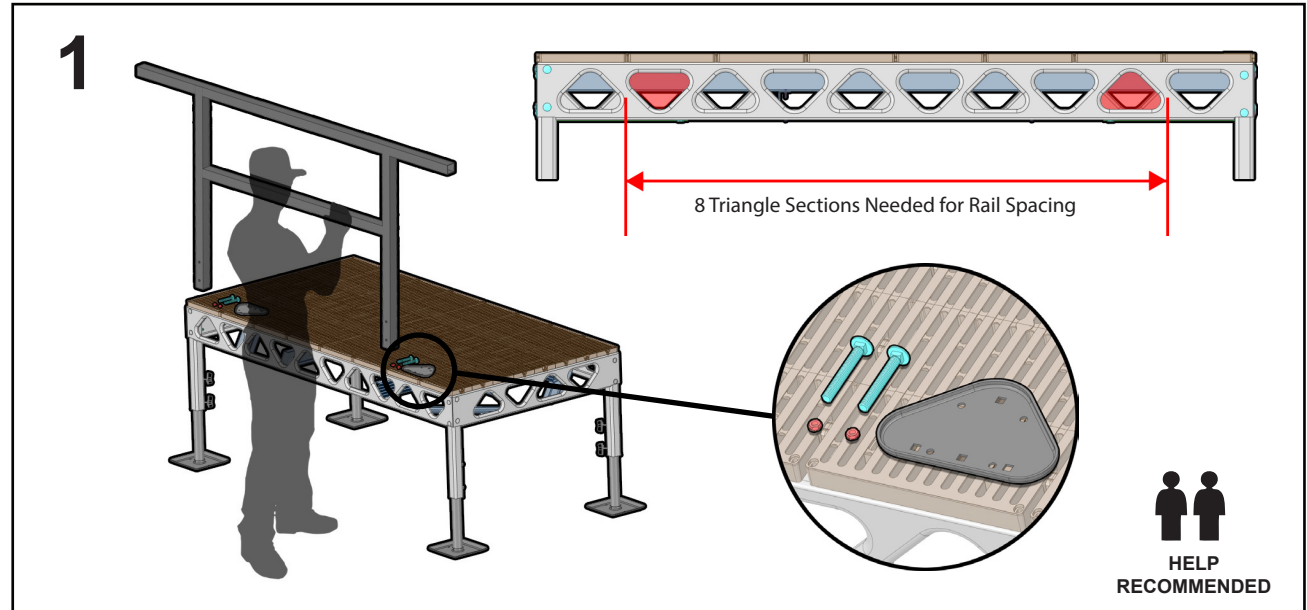
INCLUDED IN KIT:

- (A)  Railing **x1**
- (B)  Triangle Plate **x2**
- (C)  3/8" X 3 1/2" Carriage Bolt SS **x4**
- (D)  3/8" Locking Nut **x4**

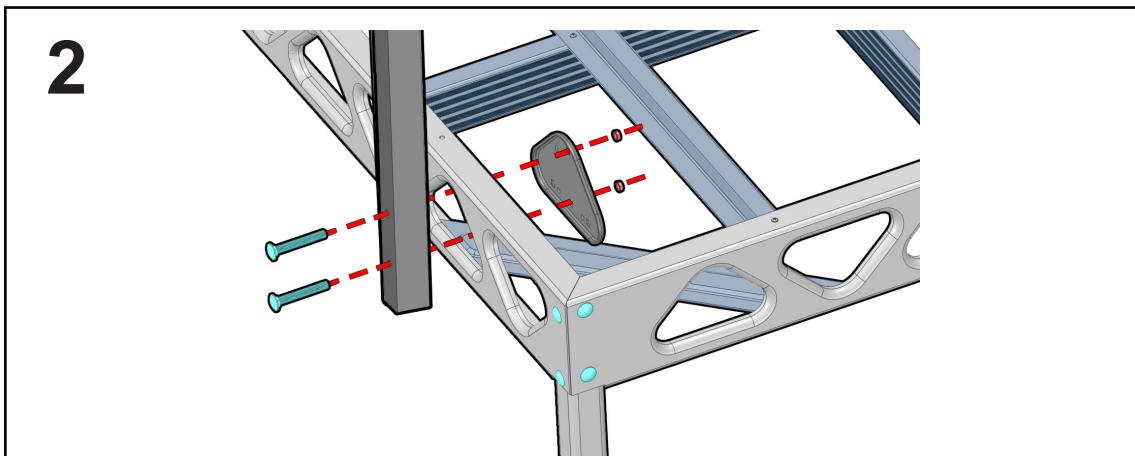
TOOLS REQUIRED:



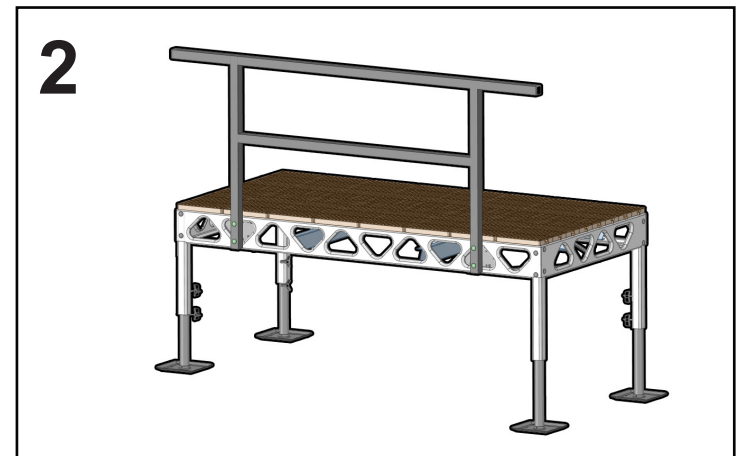
9/16" SOCKET WITH RATCHET TO SUIT
or 9/16 BOX WRENCH



Find an area on your dock that will have 8 triangle sections between the railing. Organize and set all the hardware you will need (*Items B,C,D*) onto the decking near each point of installation. Using the help of another person, hold the end of the railing level near the triangle cutout where it will be installed.



With one person holding the railing level place the **Triangle Backing Place(B)** on the inside of the triangle cutout. Fasten two **3/8" X 3 1/2" Carriage Bolts(C)** into the holes of the railing and fasten to the **Triangle Backing Place(B)** using **3/8" Locking Nuts(D)**. **Please Note:** Decking has been removed from the image above to better illustrate where the **Triangle Backing Plates** are positioned in the frame. Do this for both ends of the Hand Railing frame.



Enjoy!