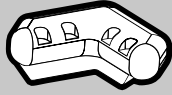


INCLUDED IN KIT:

CBR1



X1

STR1

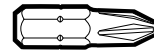


X4

TOOLS REQUIRED:

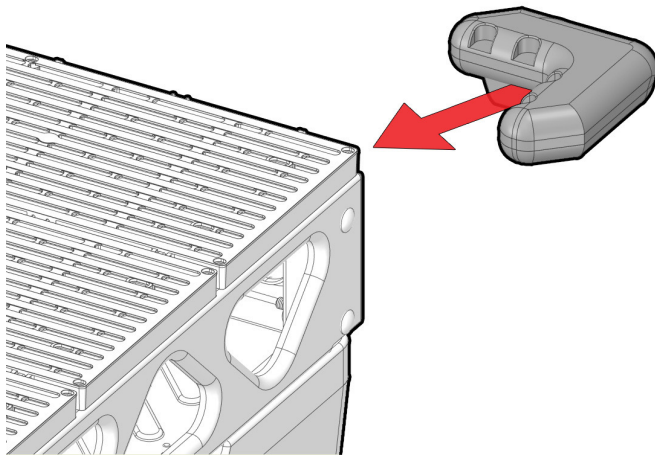


Drill

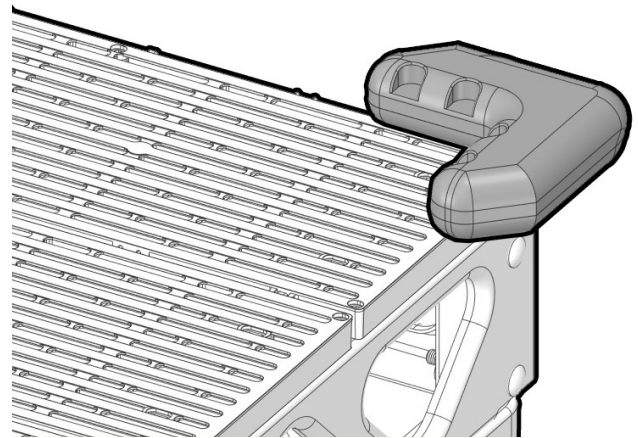


#2 Phillips Bit

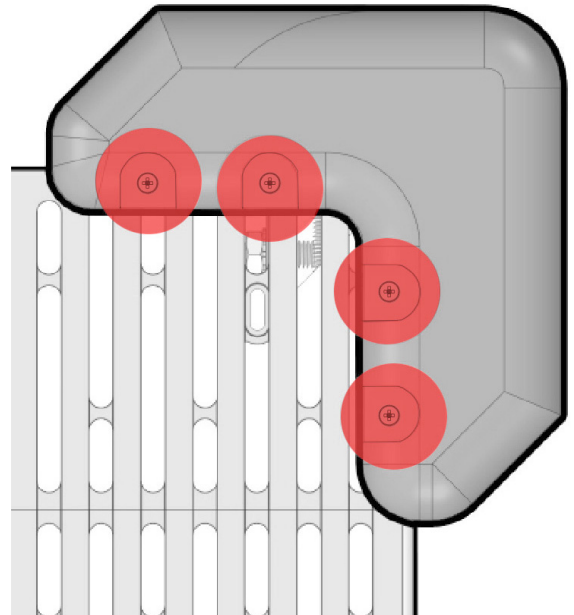
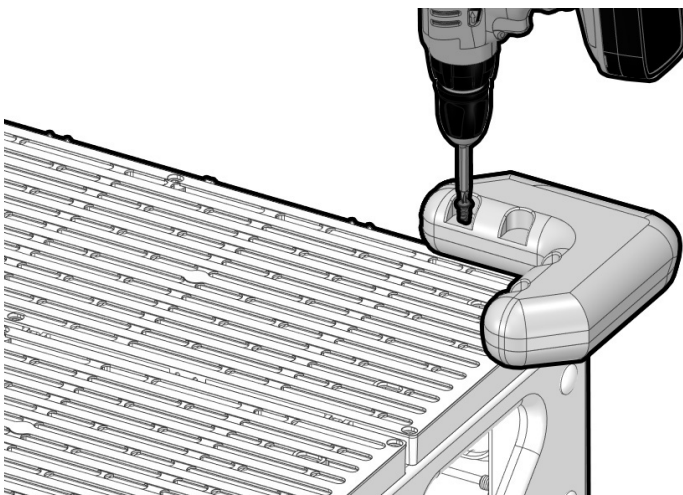
1



2



3



Repeat **Steps 1-3** for any additional bumpers connected to your dock.