



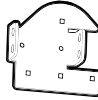





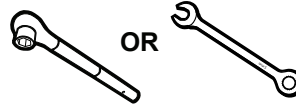


INCLUDED IN KIT:

- | | | | | | | | | | | | |
|---------|---|----|---------|---|----|------|--|----|-------|---|-----|
| DPOHLN1 |  | X1 | DPOHRN1 |  | X1 | TPU1 |  | X4 | CB15S |  | X12 |
| DPOHLW1 |  | X1 | DPOHRW1 |  | X1 | HP1 |  | X4 | NL38 |  | X12 |
| | | | VS1 |  | X4 | CP1 |  | X4 | | | |

TOOLS REQUIRED:

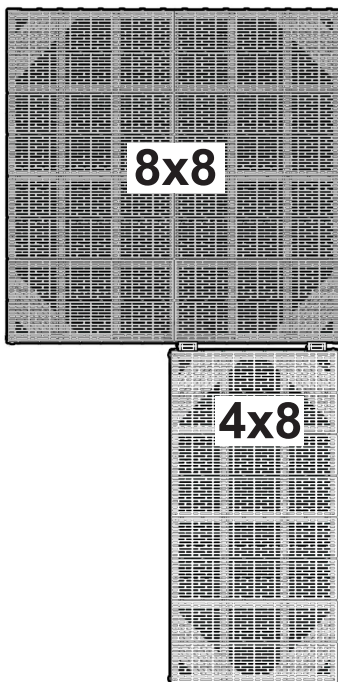
9/16" SOCKET WITH RATCHET TO SUIT OR 9/16" BOX WRENCH



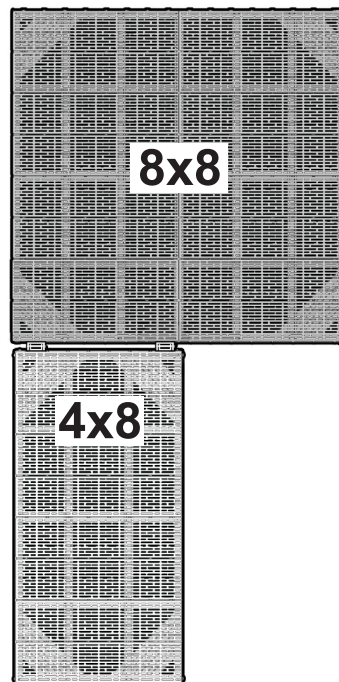
LOCKING PLIERS



1

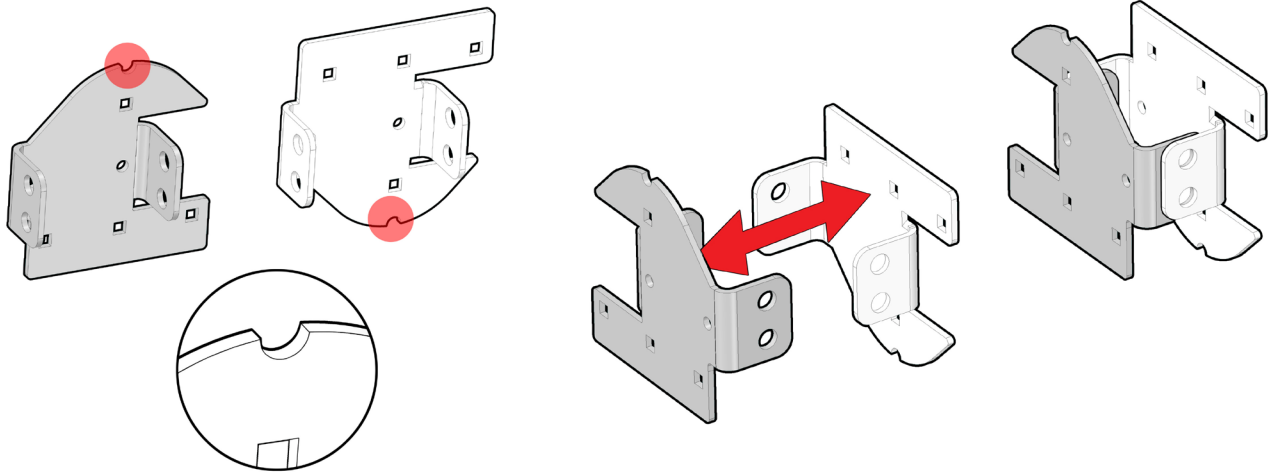


For connecting the 4x8 dock to the **Right side** of the 8x8 dock, follow Steps 2-6 .

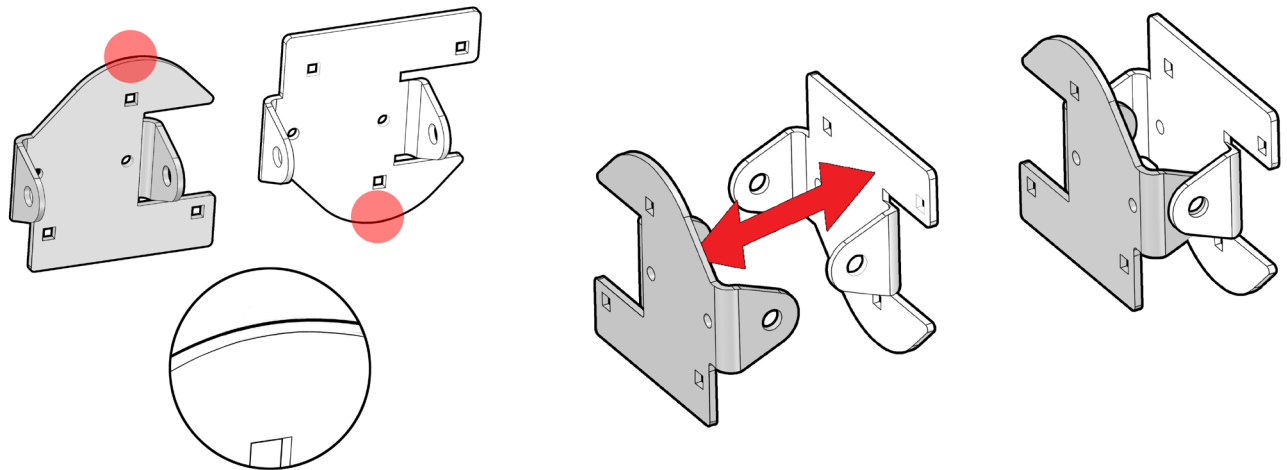


For connecting the 4x8 dock to the **Left side** of the 8x8 dock, follow Step 2 and then proceed to Step 7.

2



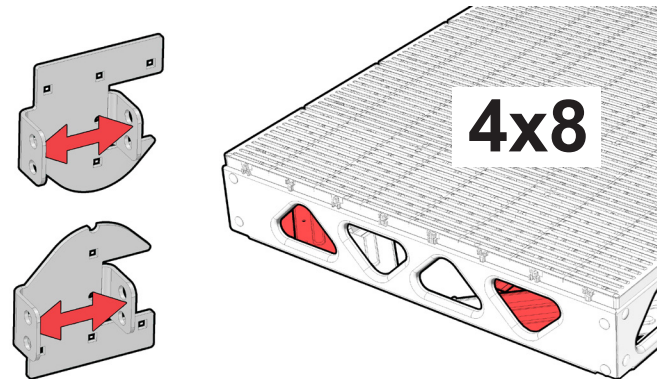
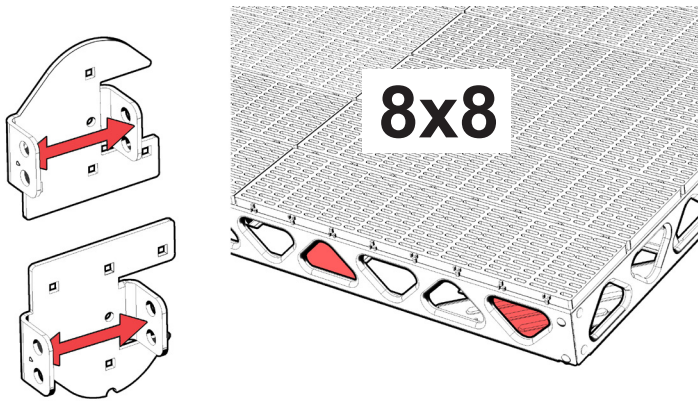
Your kit contains four brackets. Two brackets will have a cookie cutter pattern on the top of the bracket. One bracket will have a narrow mouth that will fit into the wider bracket to create a hinge. The two cookie cutter brackets will be paired together to make one hinge.



Two brackets will have no cookie cutter pattern on them. One bracket will have a narrow mouth that will fit into the wider bracket to create a hinge. These brackets will be paired together to make one hinge.

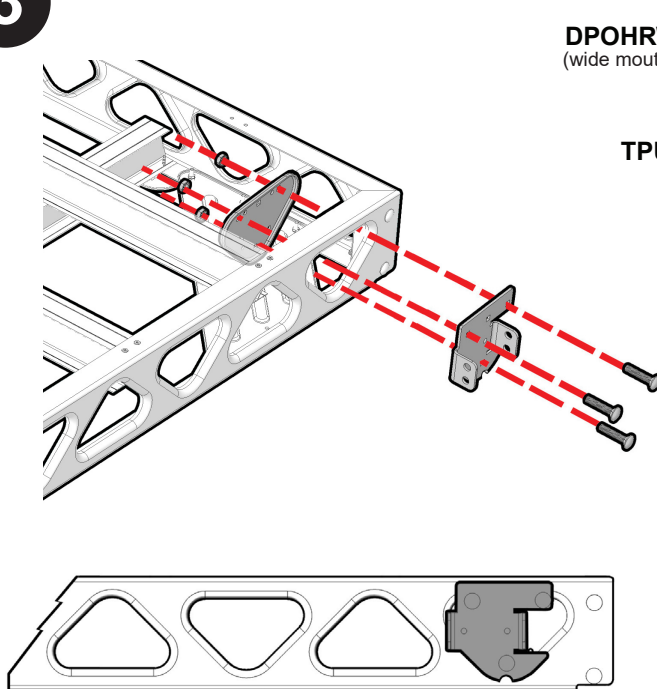
Wide Mouth Bracket
Approximately 5 Inches wide

Narrow Mouth Bracket
Approximately 4 Inches wide



The wide mouth brackets will be installed on the 8x8 docks and the narrow brackets will be installed on the 4x8 docks.

3



DPOHRW1
(wide mouth)



X1

CB15S



X3

TPU1

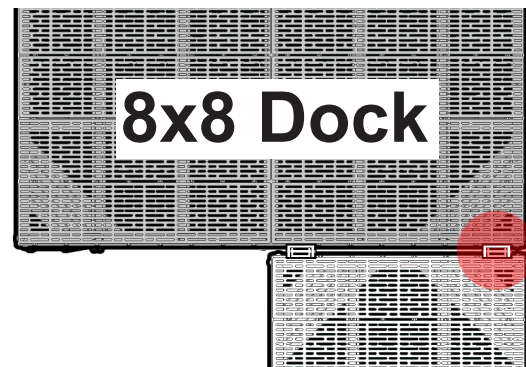


X1

NL38



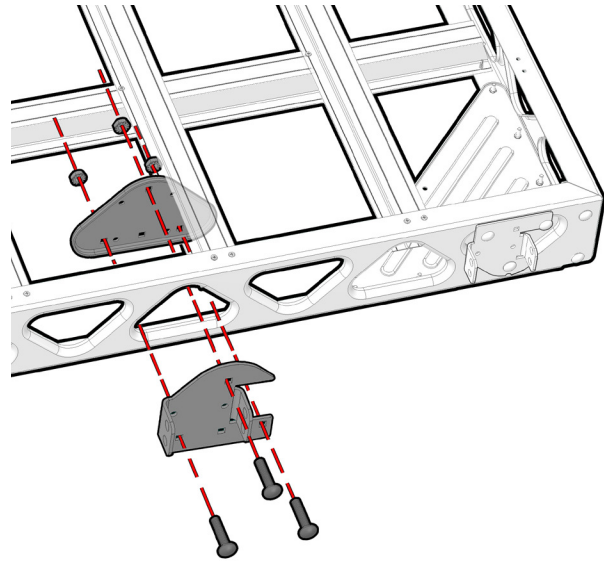
X3



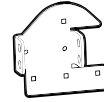
On the 8x8 Dock connect the hinge assembly as shown above.

PLEASE NOTE: The decking has been removed from the above the image and some proceeding images to better illustrate assembly.

4



DPOHLW1
(wide mouth)



X1

CB15S



X3

TPU1

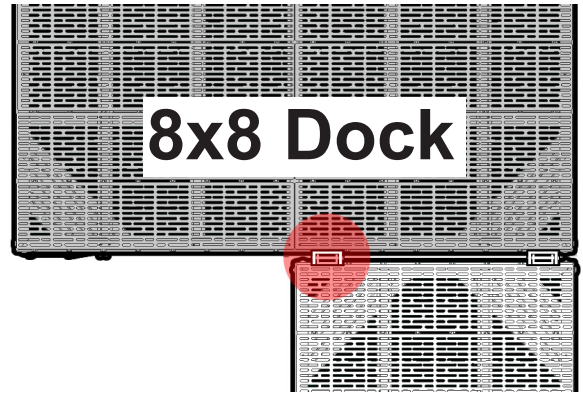


X1

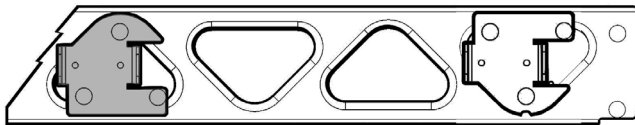
NL38



X3

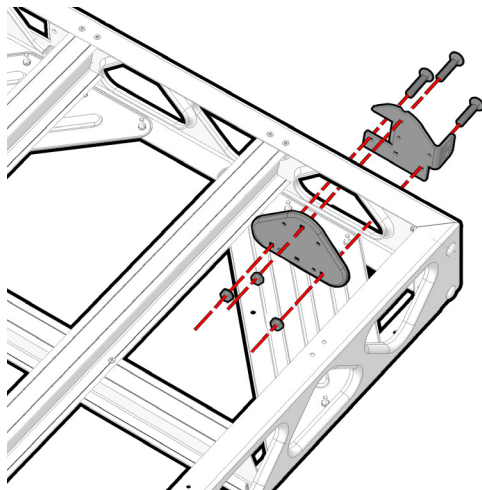


8x8 Dock



On the 8x8 Dock connect the hinge assembly as shown above.

5



DPOHRN1
(narrow mouth)



X1

CB15S



X3

TPU1

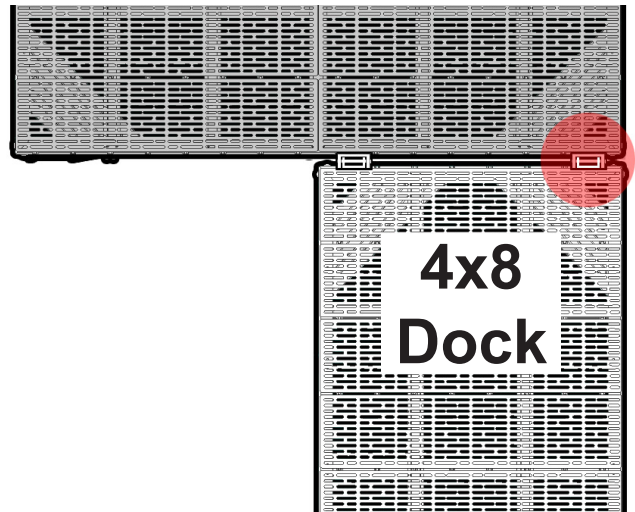


X1

NL38



X3

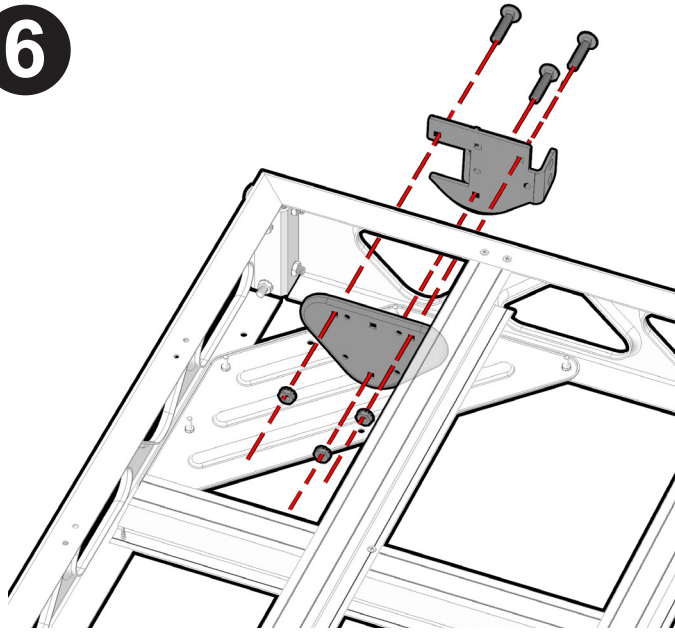


4x8
Dock

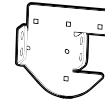


On the 4x8 Dock connect the hinge assembly as shown above.

6



DPOHLN1
(narrow mouth)



X1

CB15S



X3

TPU1

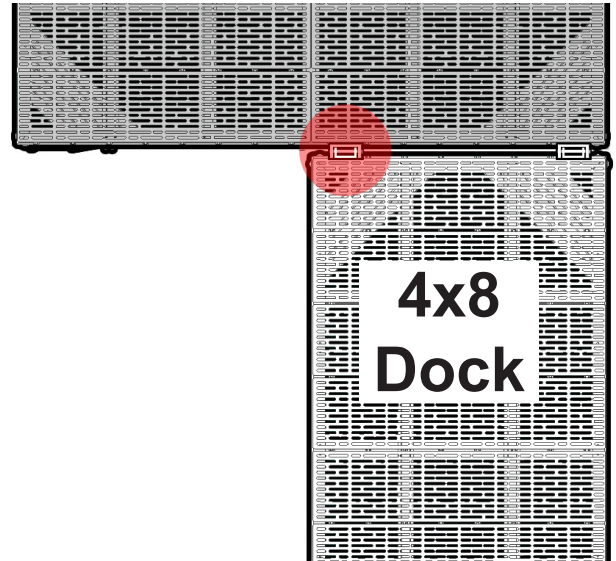


X1

NL38



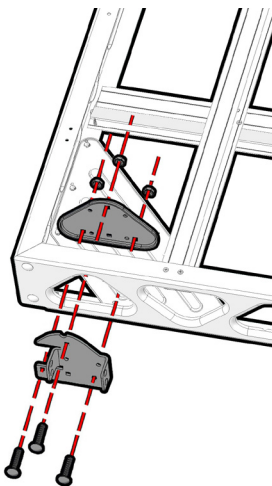
X3



On the 4x8 Dock connect the hinge assembly as shown above.

7

LEFT SIDE DOCK PLACEMENT



DPOHRW1
(wide mouth)



X1

CB15S



X3

TPU1

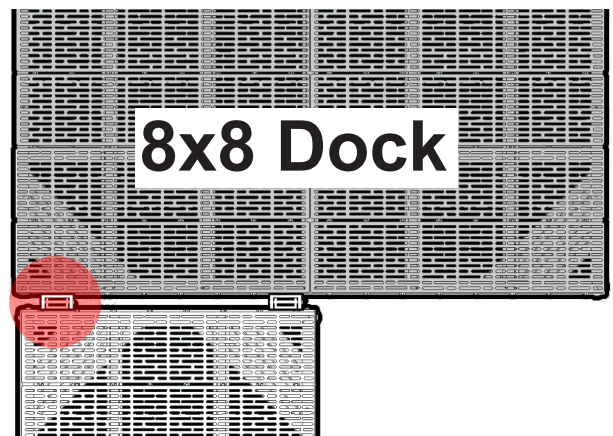


X1

NL38



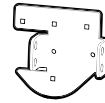
X3



On the 8x8 Dock connect the hinge assembly as shown above.

8

DPOHLW1
(wide mouth)



X1

CB15S



X3

TPU1

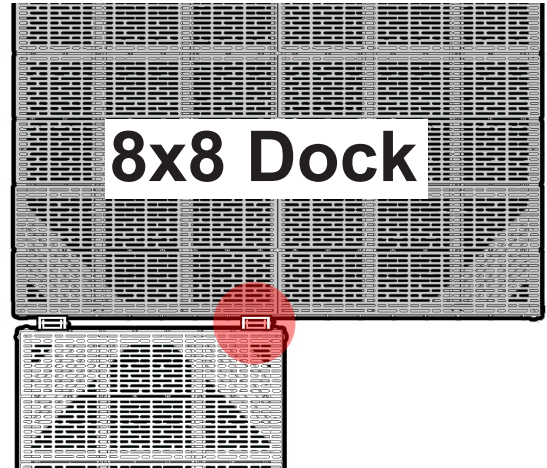
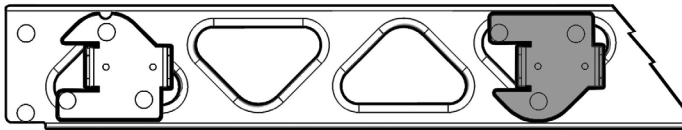
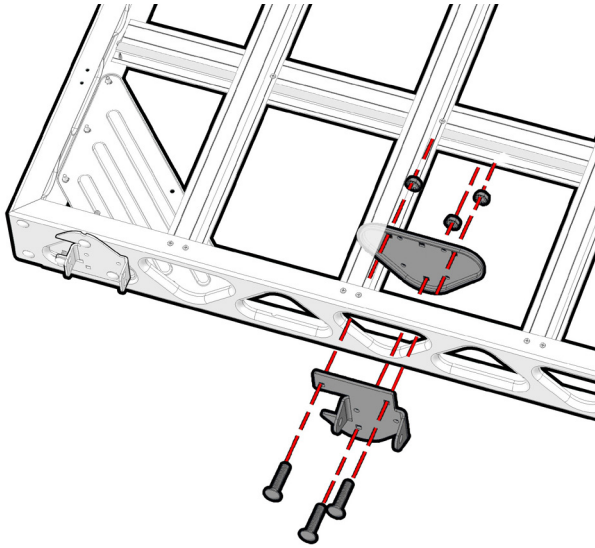


X1

NL38



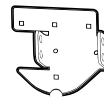
X3



On the 8x8 Dock connect the hinge assembly as shown above.

9

DPOHLW1
(narrow mouth)



X1

CB15S



X3

TPU1

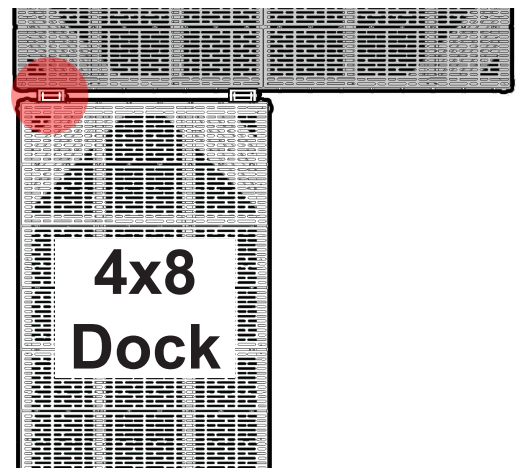
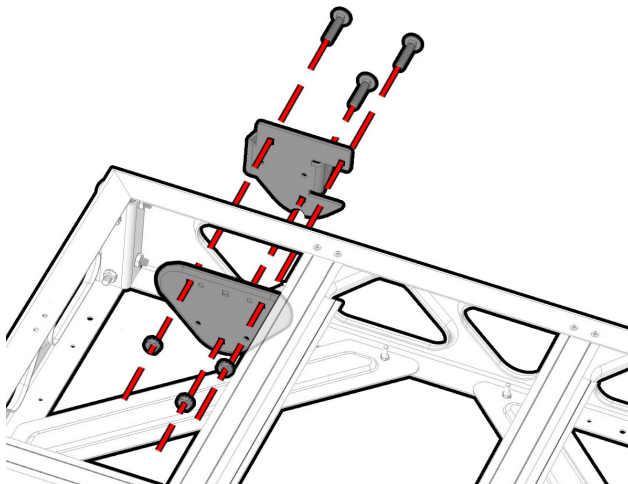


X1

NL38



X3



On the 4x8 Dock connect the hinge assembly as shown above.

10

DPOHLN1
(narrow mouth)



X1

CB15S



X3

TPU1

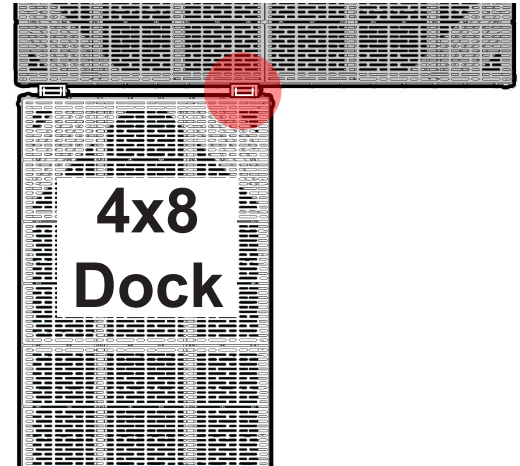
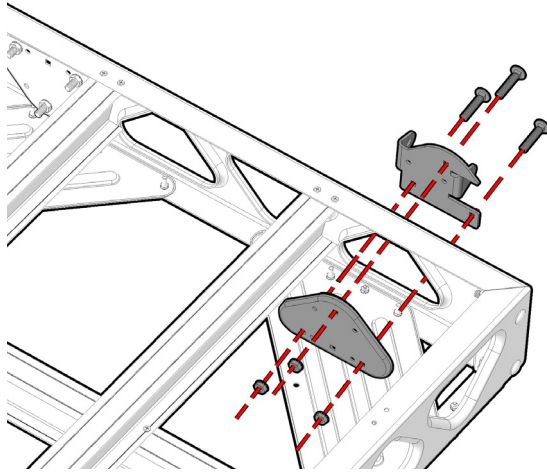


X1

NL38

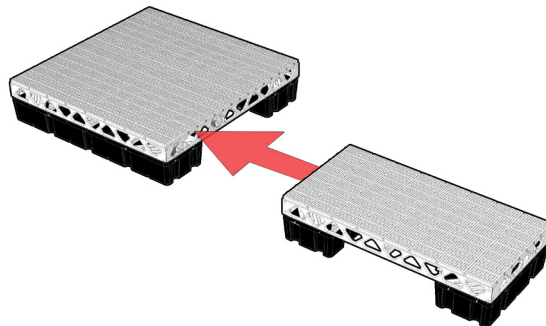
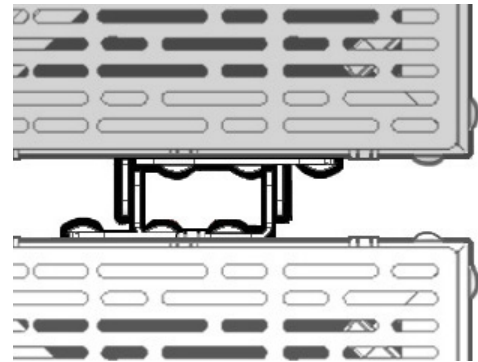
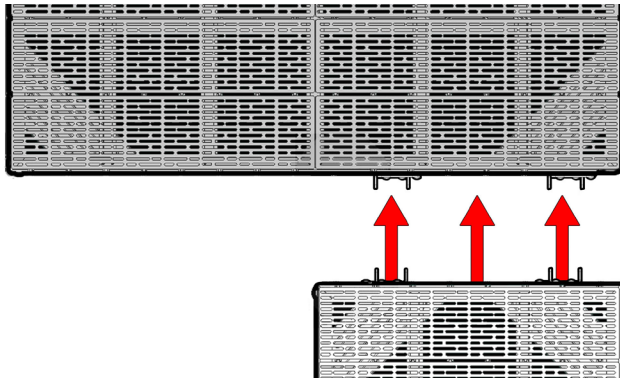


X3



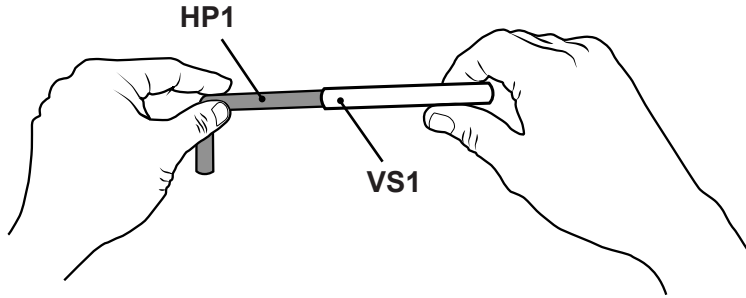
On the 4x8 Dock connect the hinge assembly as shown above.

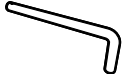

11



Once the brackets on both docks are assembled pull both docks close to each other. Place the docks so the edges of both docks are aligned with one another. Align the brackets on either side of the docks so they fit into each other (See images above). Ensure that the holes between both brackets line up with one another. Do the same for both hinge assemblies.

12



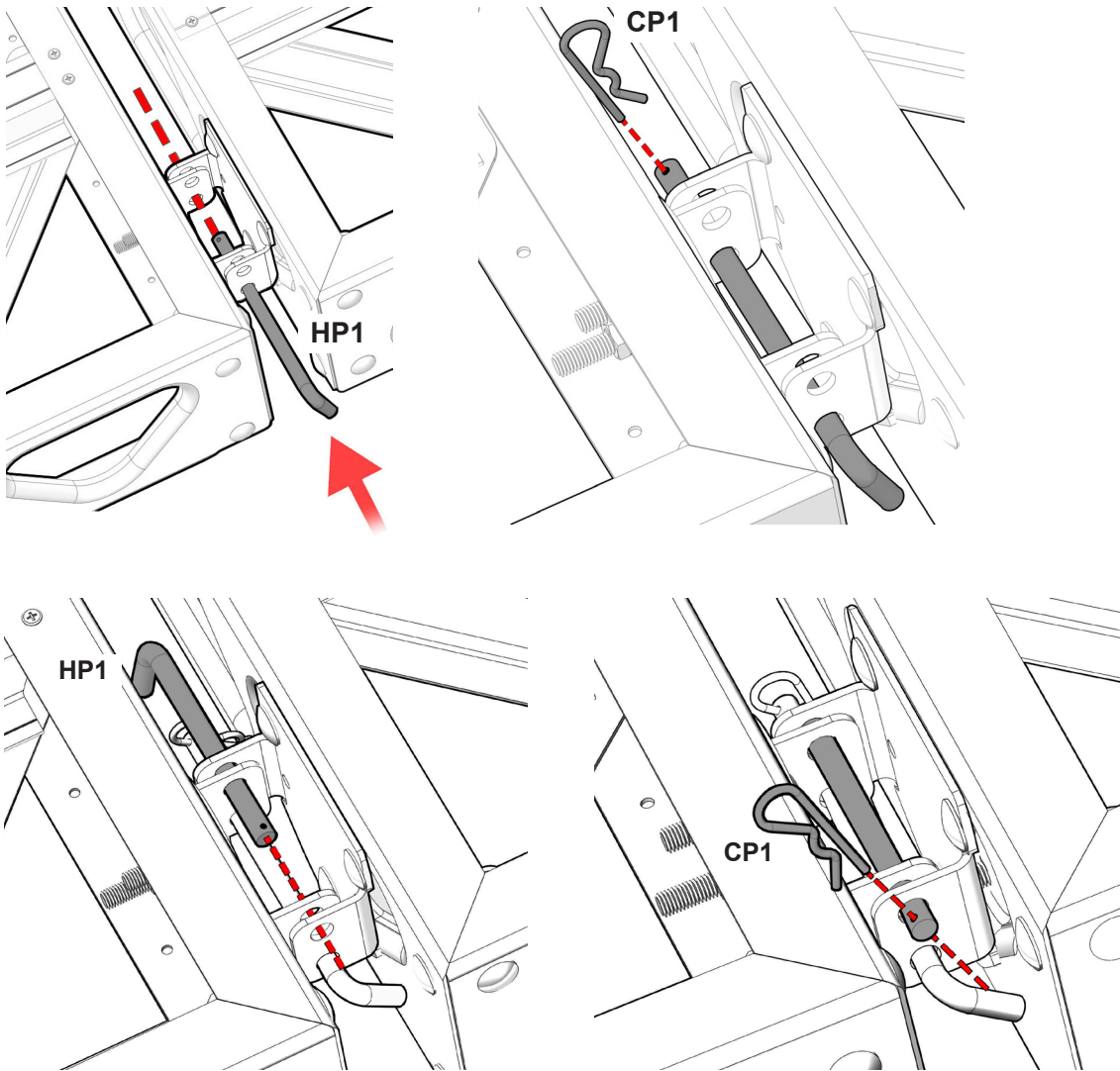
- HP1  X4
- VS1  X4

An optional sleeve (VS1) has been included with your kit to dampen any movement and sound that may arise from hinge use. Slide the vinyl sleeve onto the end of the pin (HP1).

13

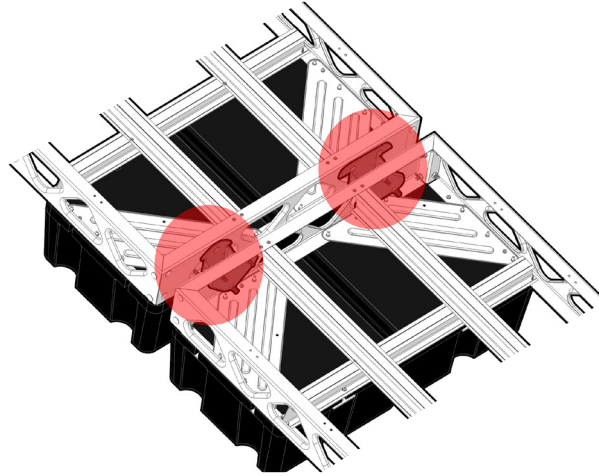
Continued next page

- CP1  X4



Connect pins.

13 Continued from last page



Repeat Step 13 for hinge assembly on the opposite side of both docks.

PLEASE NOTE: It may be helpful to use locking pliers to insert the cotter pin into the hinge pin.

14 SEPARATING DOCK SECTIONS

When separating dock sections follow the above directions in reverse removing the cotter pin (CP1) and then removing the hinge pins(HP1) from between the hinges.