

## INCLUDED IN KIT:

(A) Hanger Bracket x2



(D) Triangle Backing Plate x2



(G) 3/8" LockWasher x6



(B) Locking Key x2



(E) 3/8x1½ Carriage Bolt x6



(C) Hitch Pin x2



(F) 3/8" Hex Nut x6  
(Hot Dipped Galvanized)

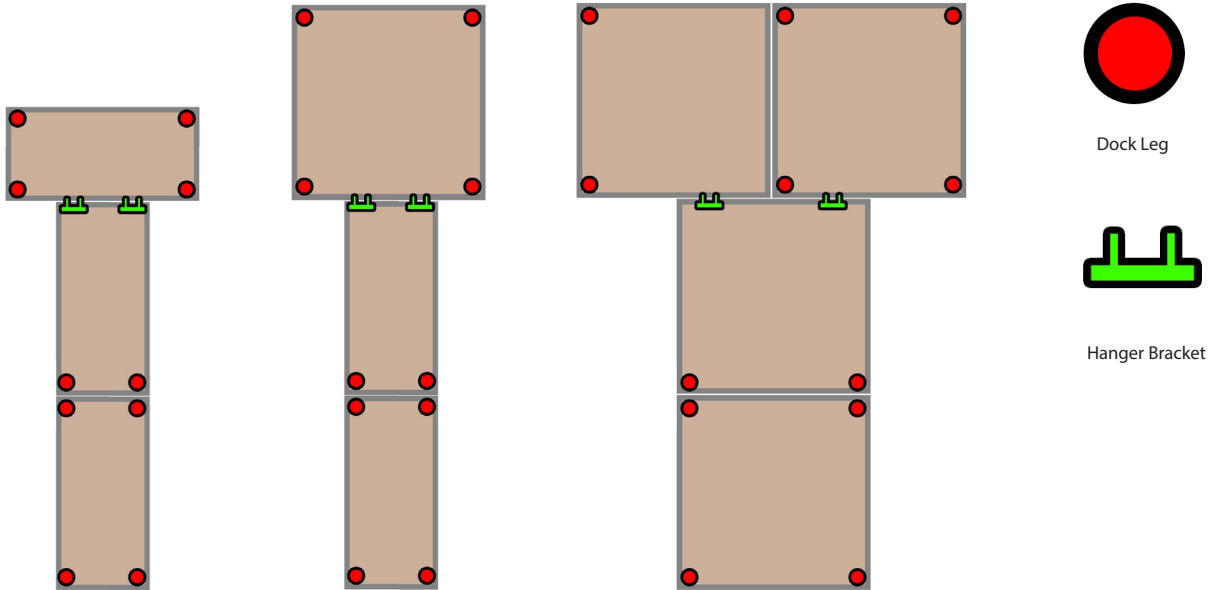


Tools Required



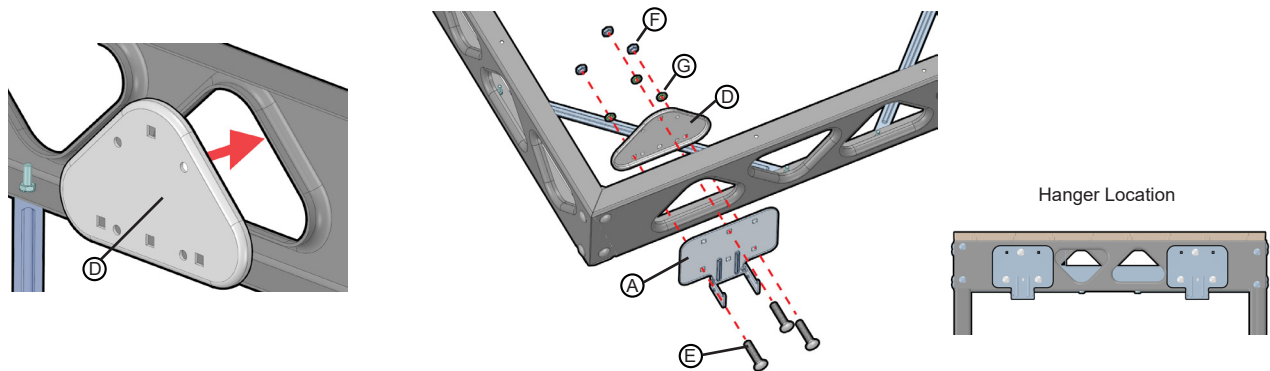
9/16" socket with ratchet to suit or 9/16" Box end Wrench

1



You will be attaching a standing dock in a T shape configuration using of the Hanging-T Kit. Brackets are attached to the supporting docks for connecting any additional extensions.

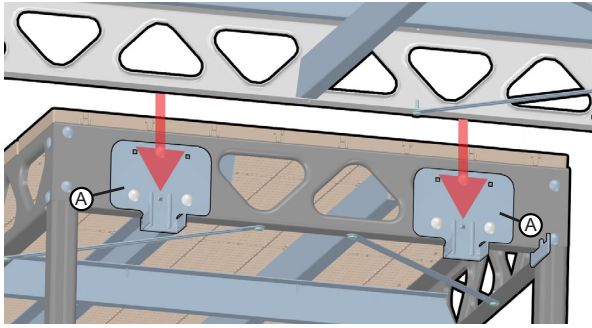
2



Take triangle Backing Plate (D) and place on the inside of the last triangle cut out of the 4' Truss. Connect Hanger Bracket (A) to Backing Plate(D) using 3/8" Carriage Bolts (E), Hex Nuts (F) and LockWashers(G). Follow this same step to add a Hanger Bracket on the opposite end of the 4' Truss (see above).

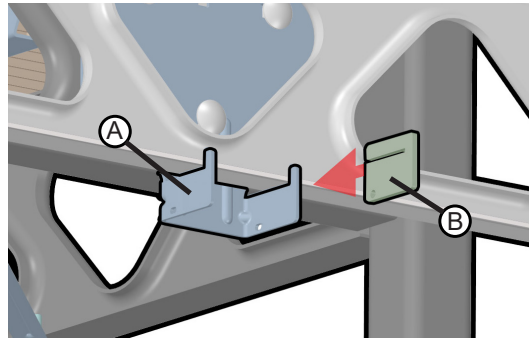
**PLEASE NOTE:** The above image has hidden some deck elements such as decking to better illustrate the Hanger Bracket assembly. The image may also show a slightly different setup than your configuration.

3



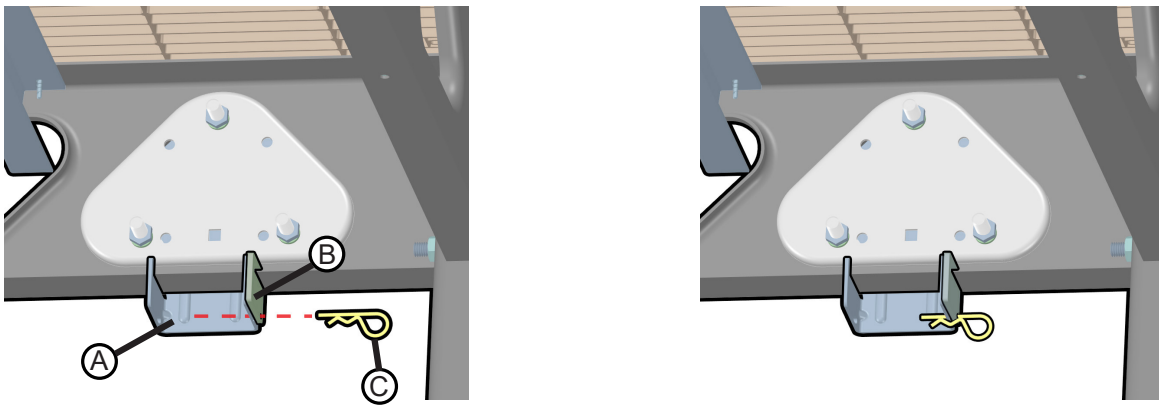
Place dock onto Hanger Brackets (A) to form a T-shaped configuration.  
**Please Note:** Picture may be slightly different than your configuration.

4



Slide Locking Key (B) onto the truss edge next to the Hanger Bracket(A).

5



Align Locking Key (B) with hole on Hanger Bracket (A) and insert Hitch Pin (C). Do this for each connection on the Hanger Bracket.