





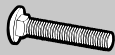

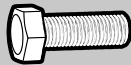





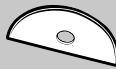
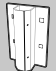

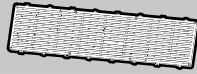
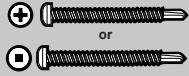





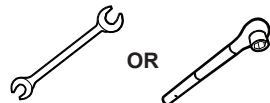
INCLUDED IN

T8		X2
EPT2		X2
SSTUB		X4
J24		X5
J95		X1
CB35S		X16
CB15S		X32
CB3G		X4
B2575		x16
BC516		x16
NL38		X48
NG38		X4

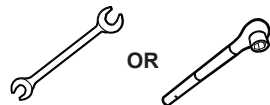
WS38		X4
TPU1		X8
BD38		X4
SB1		x8
KLR1		x4
DK1X4		x4
ST2 or STR2		X32
STF075		X34
LCAP3		X8
F8		X1

TOOLS RE-

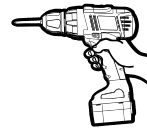
9/16" Wrench or  
9/16" Socket with Ratchet



1/2" Wrench or  
1/2" Socket with Ratchet



Driver



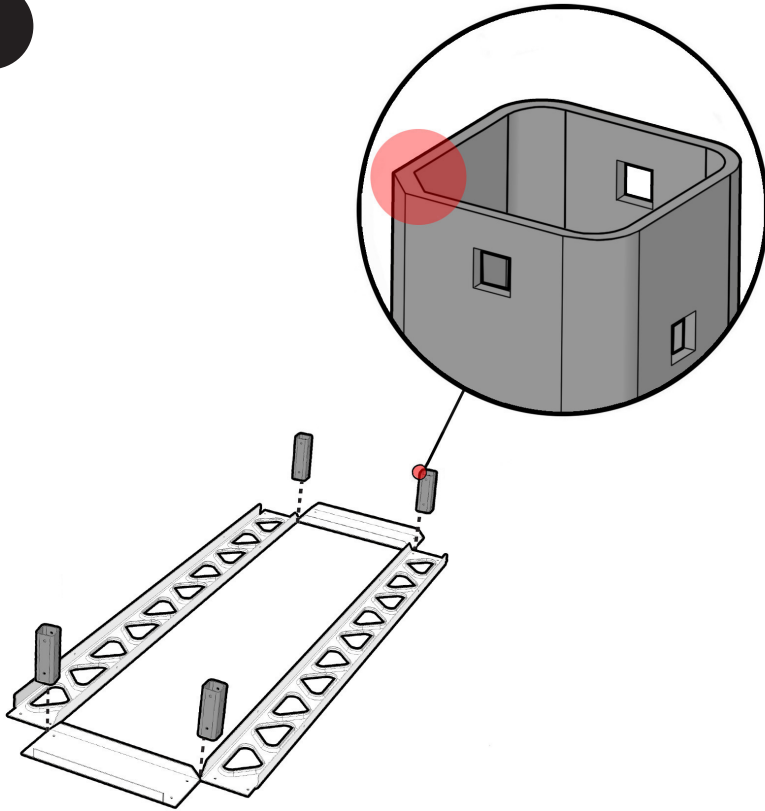
Magic marker






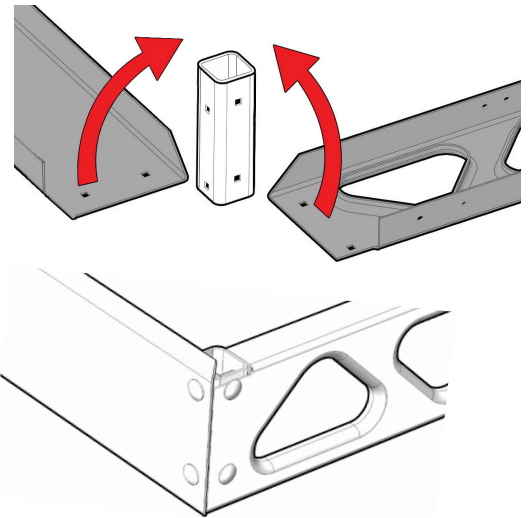
#2 & #3 Phillips Drill Bit



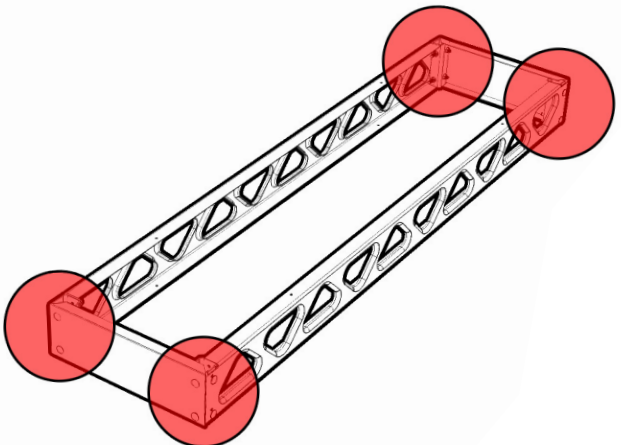
1

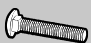



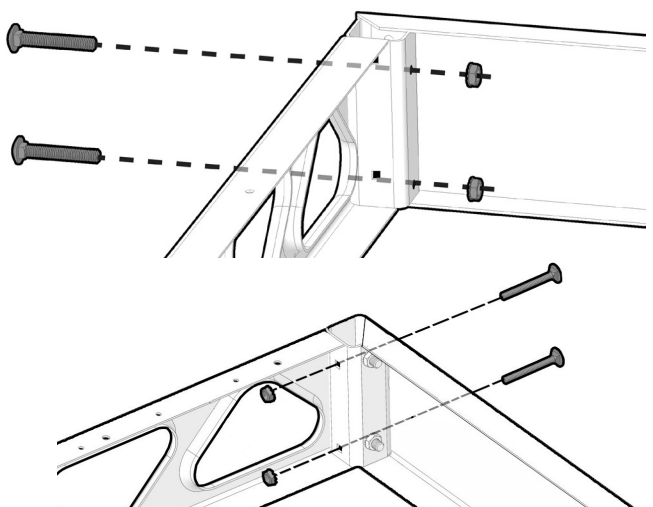
- T8  X2
- EPT2  X2
- SSTUB  X4



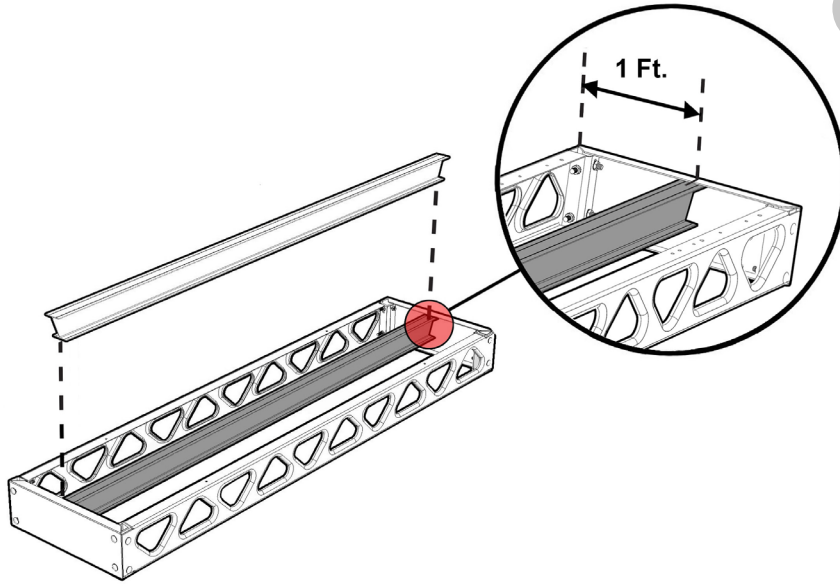
2




- CB35S  X16
- NL38  X16

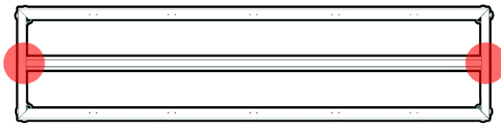


3

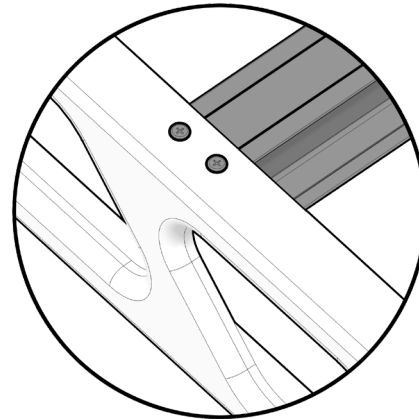
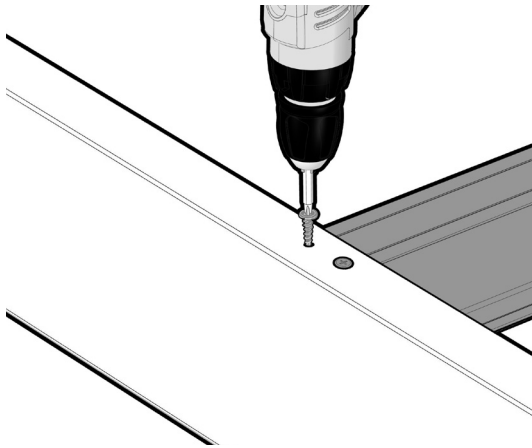


J95  X1

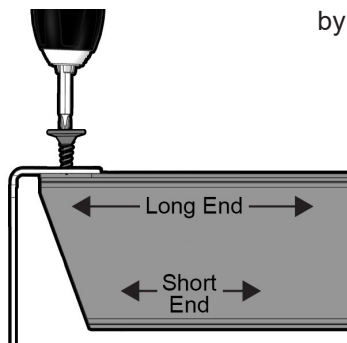
4



STF075  X4

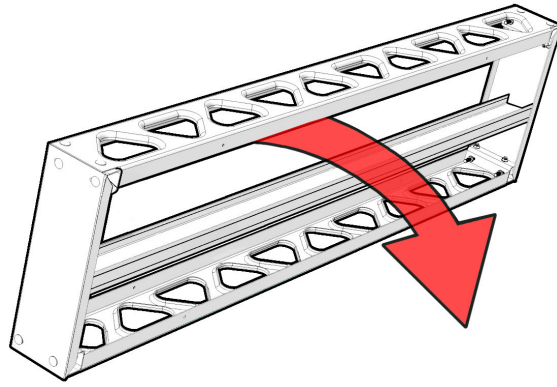


Place and fasten two screws side by side on each end of the joist.

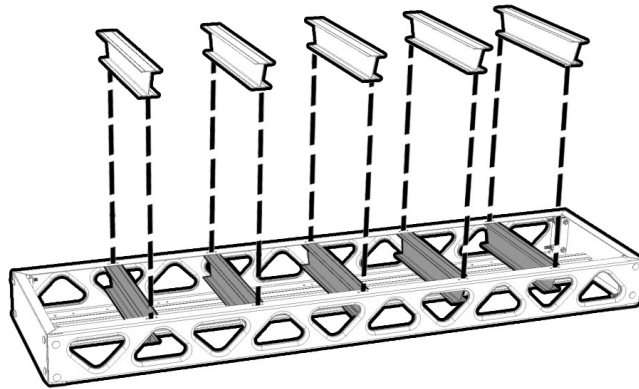



Ensure the long end of the joist is facing upwards when placing joists.

5

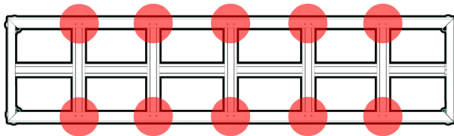


6

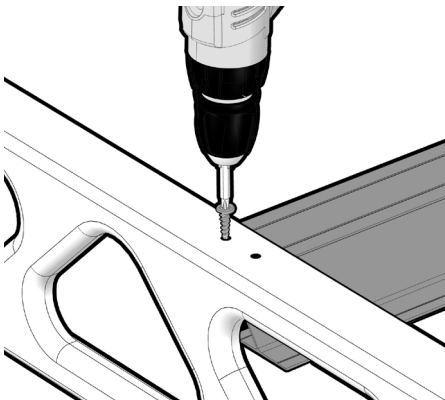


J24  X5

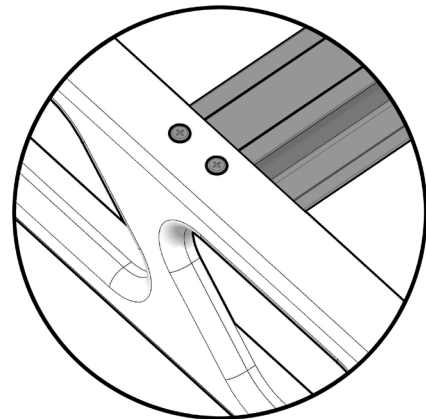
7



STF075  X20

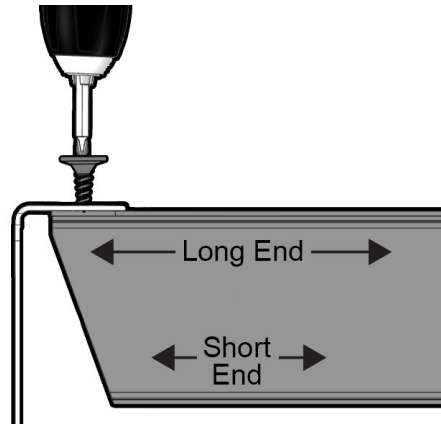


Put screws on intersection.



Place and fasten two screws side by side from each other on each end of the joist.

8

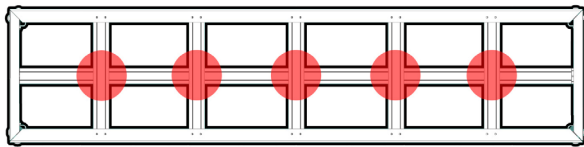


Ensure the long end of the joist is facing upwards when placing joists.

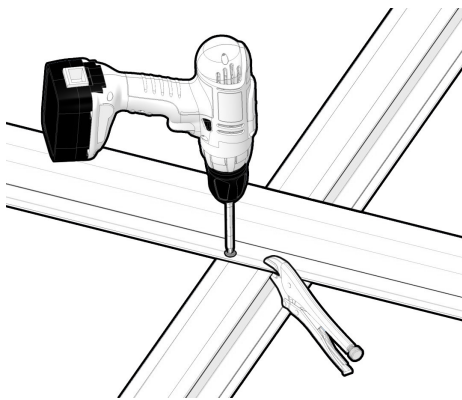
9



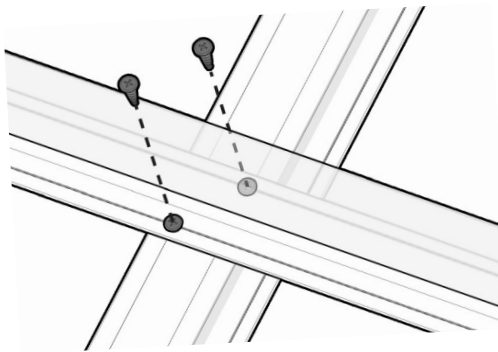
**PLEASE NOTE:** It is suggested to use a 4" or longer Philips #3 Bit for fastening joist intersections.



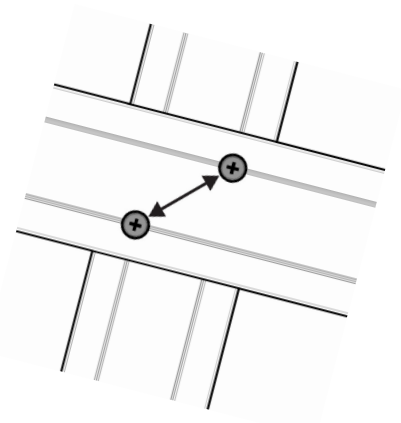
STF075  X10



**CLAMP INTERSECTION**

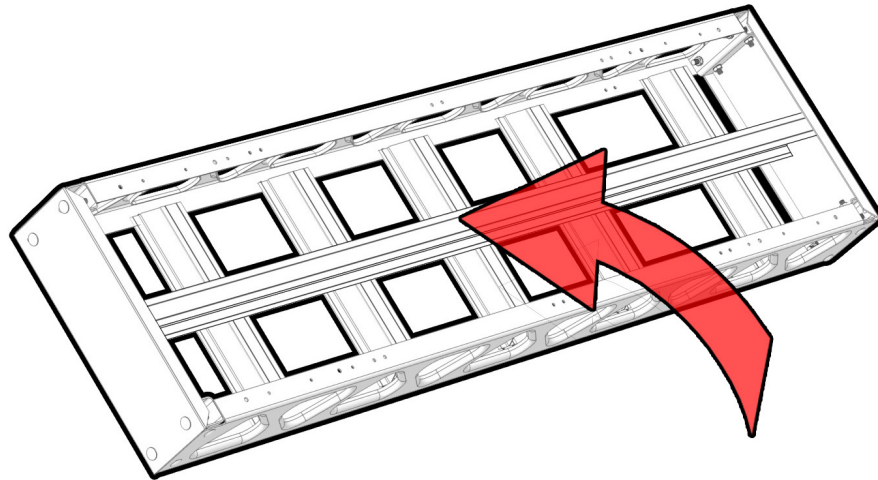


**FASTEN INTERSECTION WITH SCREWS**



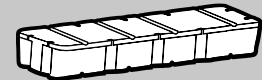
At each joist intersection clamp both overlapping joists together. Place two screws at the bottom flange of the top joist in a diagonal pattern (see image above). Intersection locations for dock types are shown on the chart above.

10

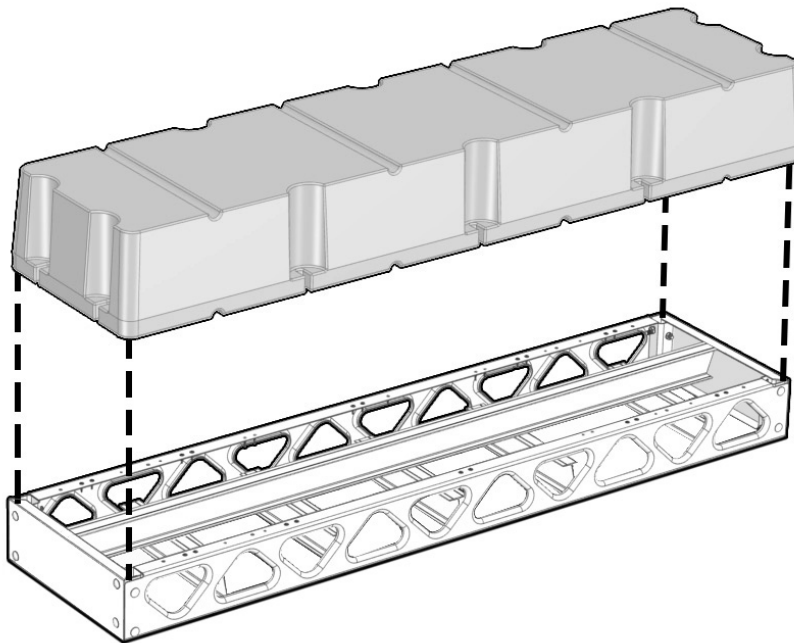


11

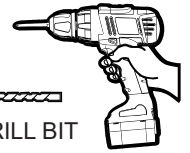
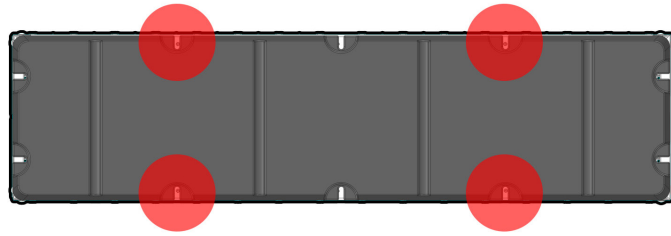
F8



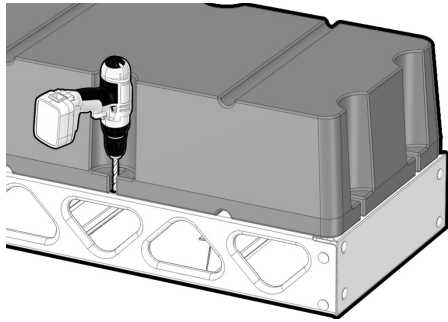
x1



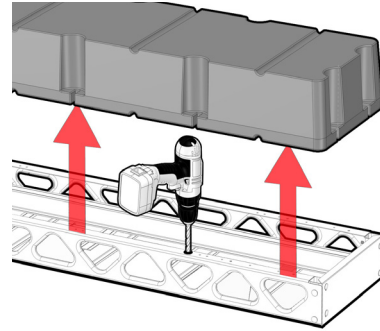
12



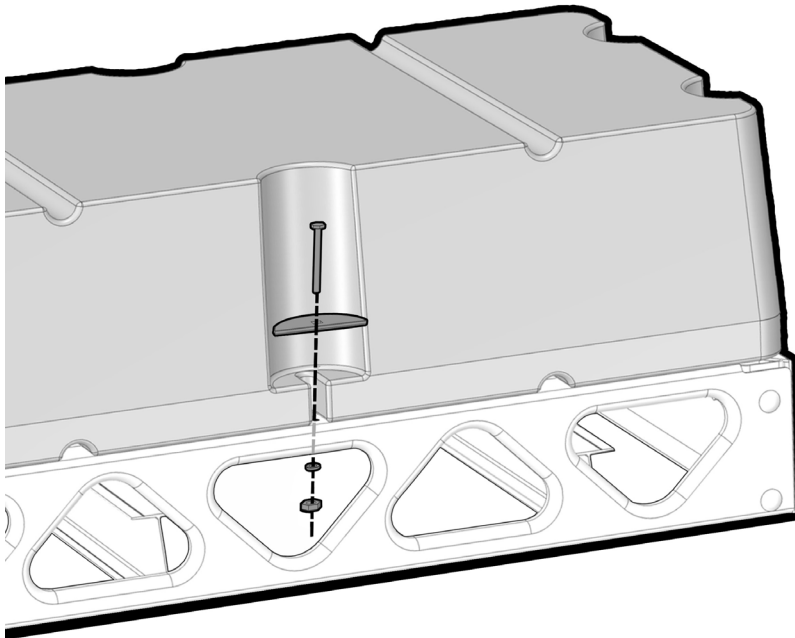
13/32" DRILL BIT



OR



13



CB3G  X4

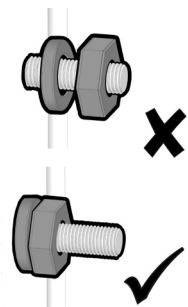
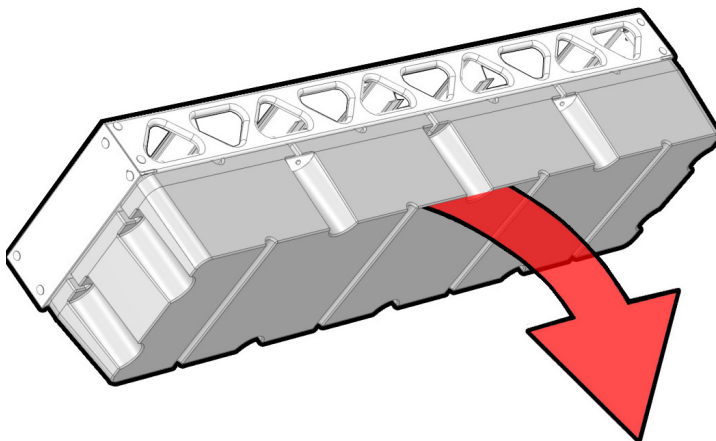
BD38  X4

WS38  X4

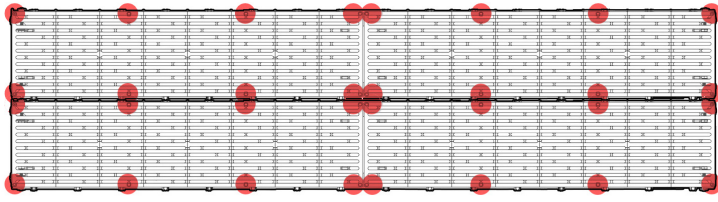
NG38  X4



14



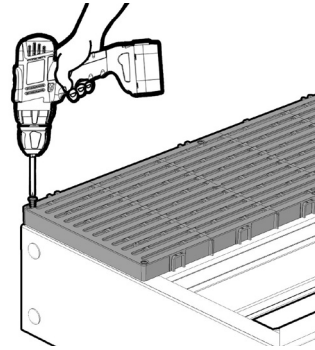
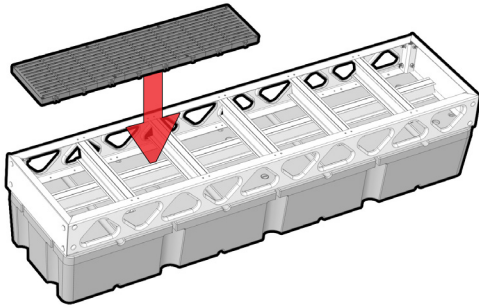
15



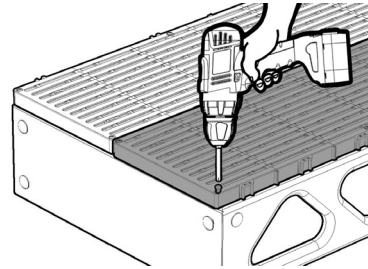
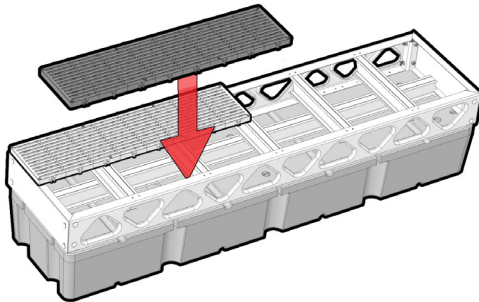
ST2 or STR2	 or	X32
DK1x4		X4

Each piece of decking will receive 8 screws(ST2 or STR2) to fasten the decking to the dock frame.

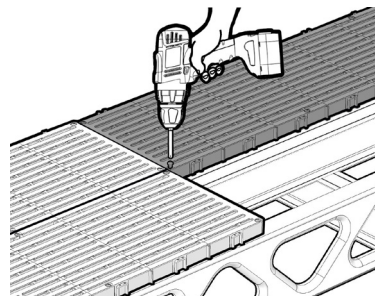
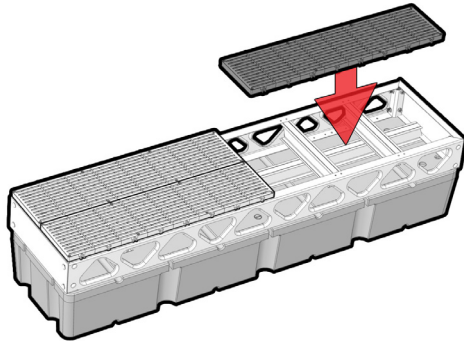
A



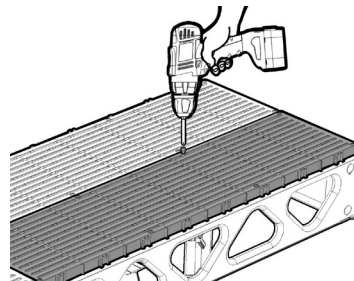
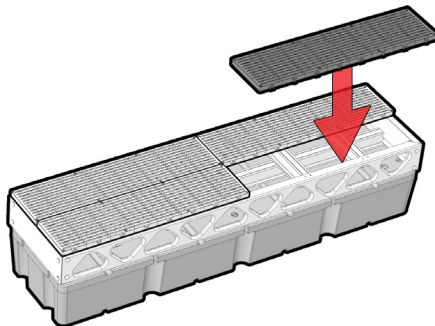
B



C

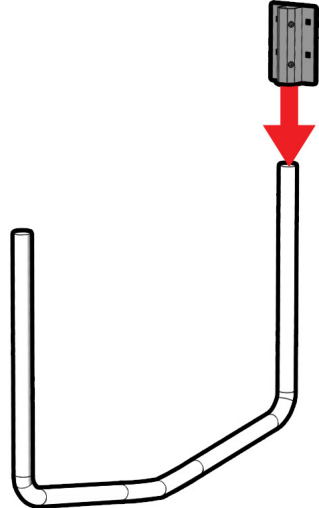


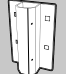
D





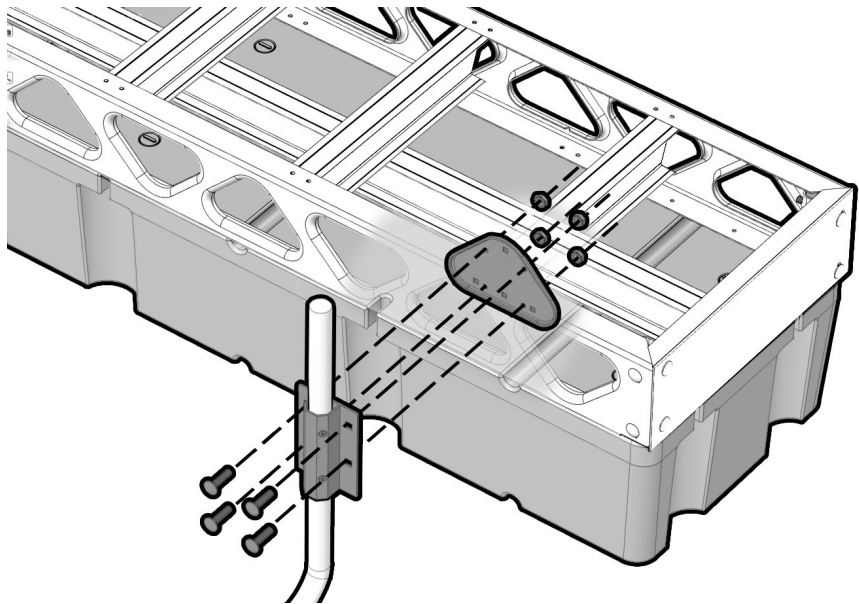
16




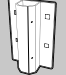
SB1  x4

KLR1  x4

17




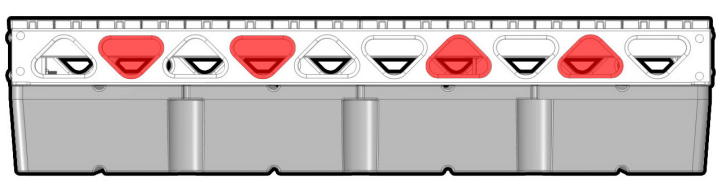
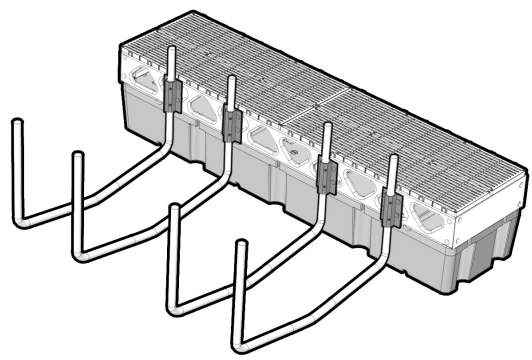
CB15S  x16

SB1  x4

KLR1  x4

TPU1  x4

NL38  x16



Follow the assembly for all four brackets in the triangle holes.

**PLEASE NOTE:** Some dock components have been hidden to better illustrate assembly.

18

Image A

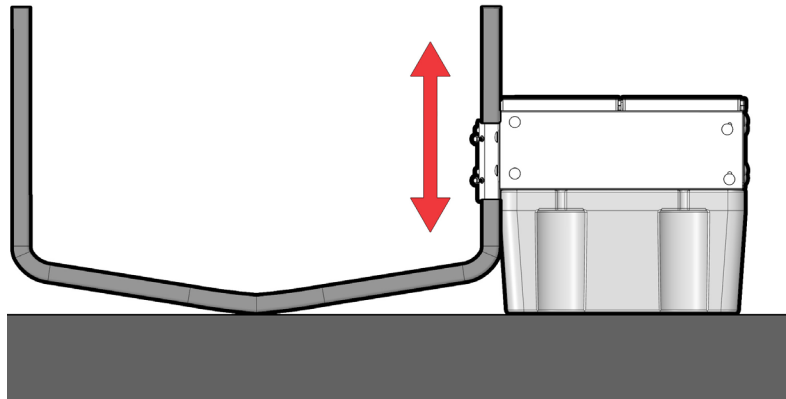
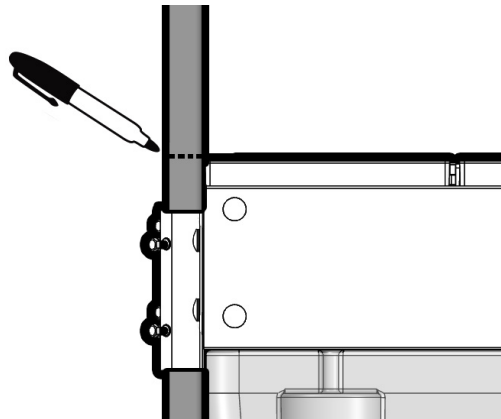
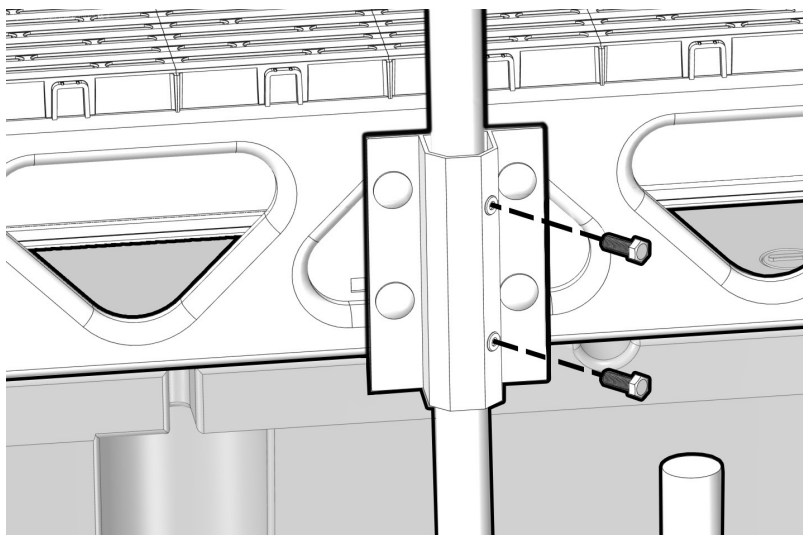


Image B

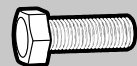


The bottom of each metal rib should be set level with the bottom of the float on the dock frame (See **image A**). Mark each rib level with the decking (See **image B**). This will provide a reference point to adjust the ribs after testing the height of the kayak launch with your watercraft.

19



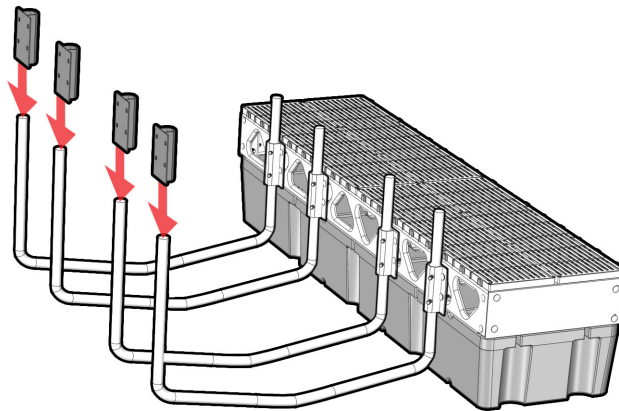
B2575



x8

Install bolts for all four brackets. Only hand tighten each bolt as each will be adjusted later.

20

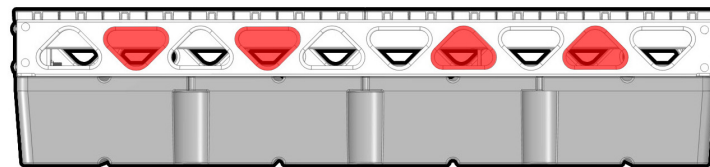
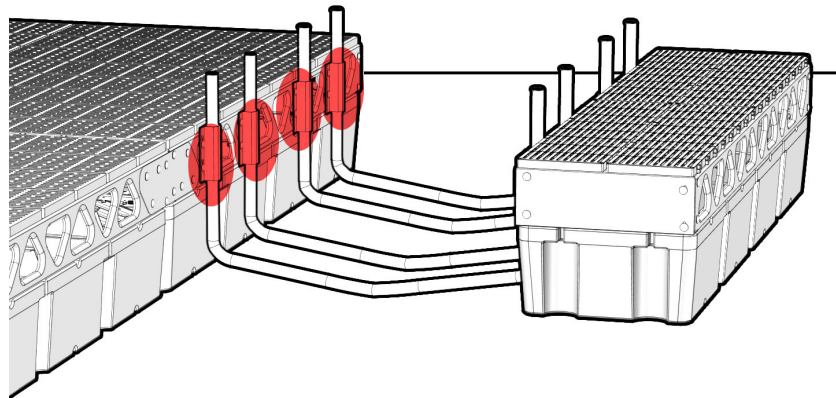


SB1



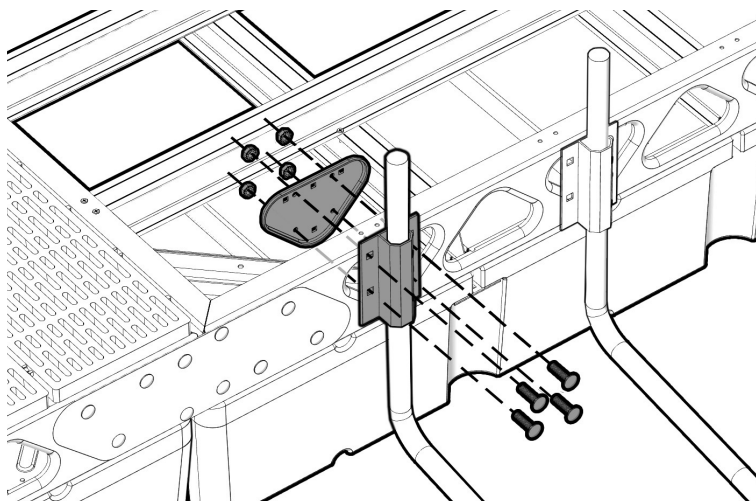
x4

21



Align the four metal ribs from the kayak launch assembly with the triangle slots on the main dock that you will connect to.

22



NL38



x16

TPU1



x4

SB1



x4

KLR1



x4

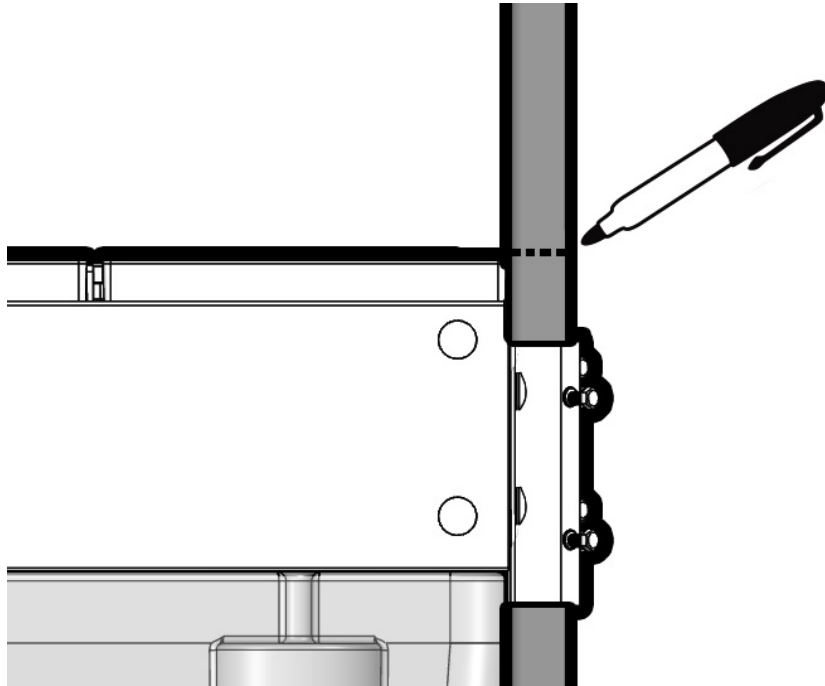
CB15S



x16

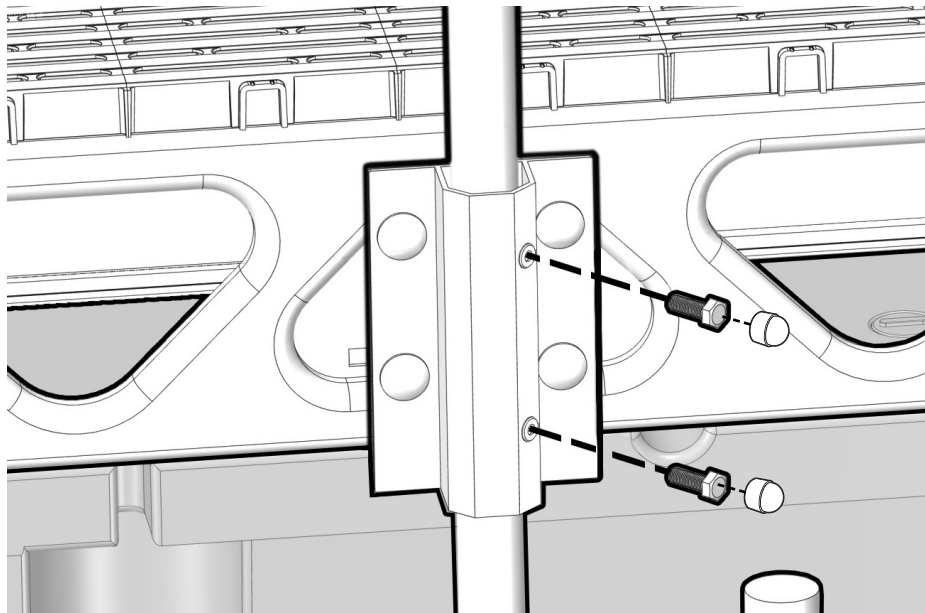
**PLEASE NOTE:** It may be easier to fasten the backplate by removing some decking panels for access.

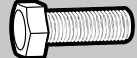
23



Mark each rib level with the decking (See above image). This will provide a reference point to adjust the ribs after testing the height of the kayak launch with your watercraft.

24

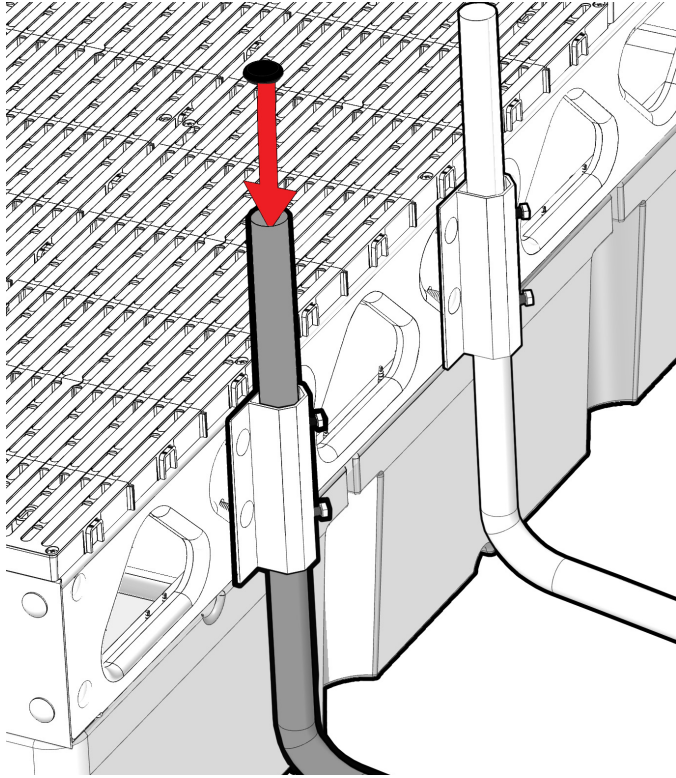


B2575  x8

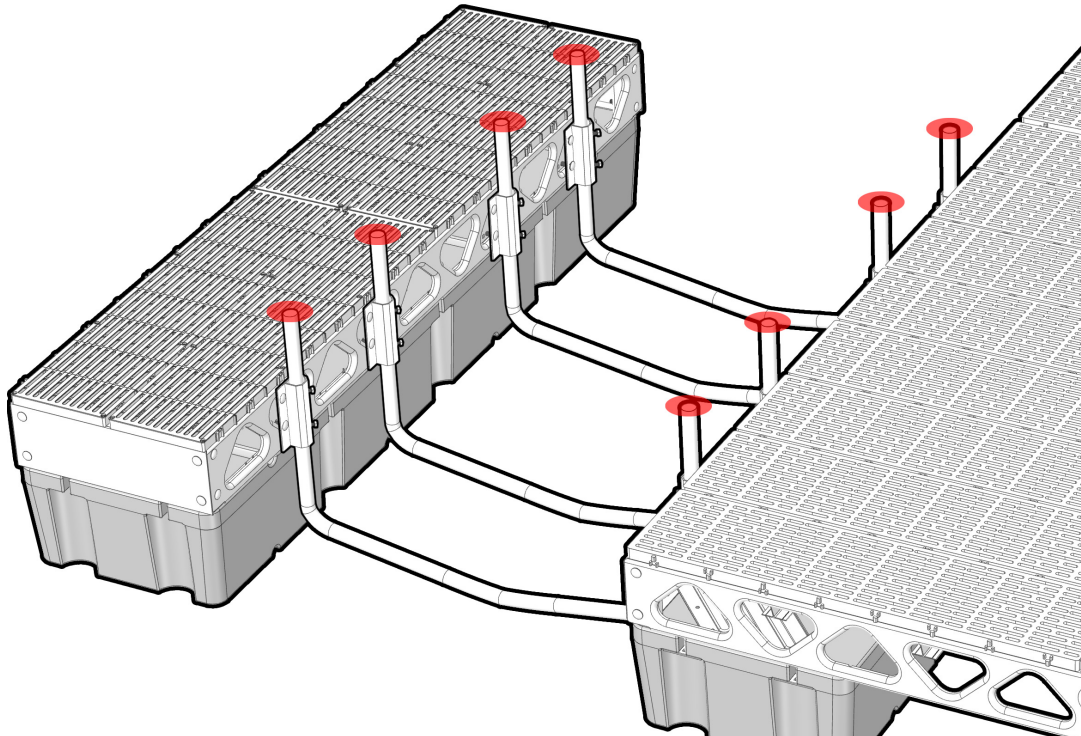
BC516  x16

Install bolts for all four brackets. Only hand tighten each bolt as each will be adjusted later.  
Finalize by securing bolt caps (x16) on each of the bolts on the installed brackets (x8).

25

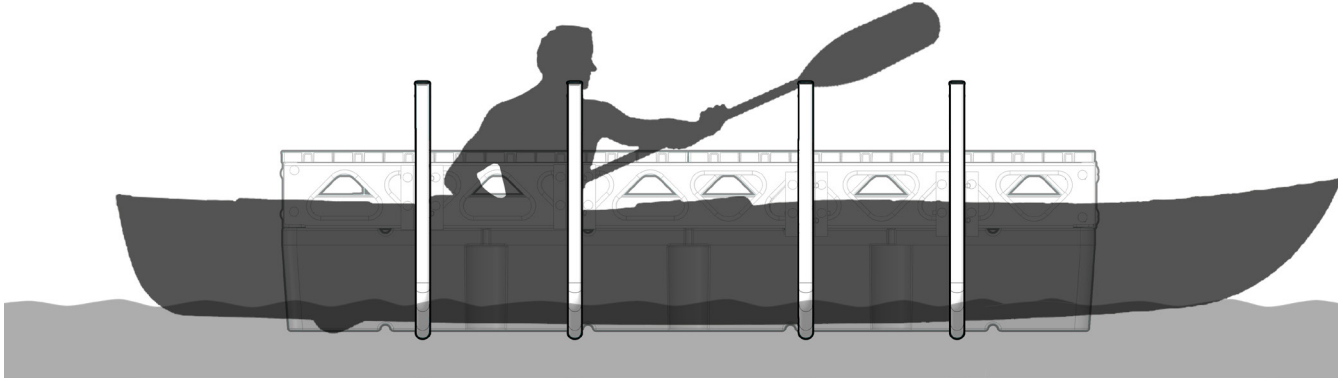


LCAP3  x8



Add trim tops to all eight ribs.

26



Test your watercraft with the kayak launch. Your craft should pass each metal rib with relative smoothness while still holding your craft in place. If you are finding it difficult to traverse across the ribs or you are making no contact with the ribs with your watercraft then adjust the ribs accordingly. This can be achieved by unscrewing the bracket bolts and raising or lowering the ribs equally using the reference points from **STEPS 18** and **23**.

27

