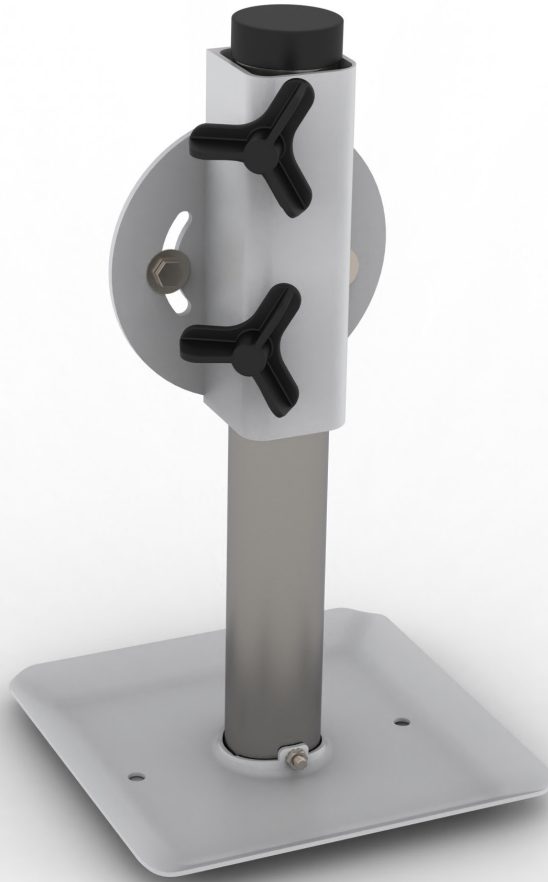


# CanadaDocks™



Where *fun* on the water *begins!*



## Roller Ramp, Optional Support Leg

Read this manual and related assembly instructions before attempting to assemble the parts enclosed to ensure that your new CanadaDocks System is assembled safely and correctly.

# PRODUCT WARRANTY

- CanadaDocks Inc. Warrants all products to be free of defects in workmanship and material under normal conditions and for which use they are intended. CanadaDocks Inc. Shall not be liable for any incidental, consequential or special damages, without limitation any lost profits, business interruption, loss of opportunity or loss of revenue, resulting from the misuse of CanadaDocks Inc. Products and does not assume any liability of purchaser or others for injury to persons or property. CanadaDocks Inc. Makes no express or implied warranties other than the warranties set forth herein, including without limitation, the warranties of merchantability, fitness for a particular purpose, or from any trade usage.
- CanadaDocks Inc. Warrants its CanadaDocks Roller Ramp, purchased new, to be free of defects in its structure for 5 years. This warranty covers defective parts on the CanadaDocks aluminum Stringers only (cross members, square aluminum legs and bracing). Any defective product must be returned with a Return Goods Authorization # before being delivered to CanadaDocks Inc. A copy of the original sales receipt must accompany all claims. The freight on the defective goods is the responsibility of the consumer. Obligation under this warranty is limited to repair, replacement, or credit for the defective product, provided that CanadaDocks Inc. Determines that the product defect was not the result of misuse or neglect. Freight on the repaired or replaced products is the responsibility of the consumer.
- Some States and/or Provinces do not allow the limitation of incidental or consequential damages or on the duration of an implied warranty so the above limitations or exclusions may not apply to you. This warranty may vary from State to State or Province to Province. This warranty gives you specific legal rights and you may also have other rights which vary from State to State or Province to Province.
- This warranty does not extend to anyone except the original buyer. This warranty does not apply to wobble wheels, winch, winch strap and clasp, fasteners, hardware, galvanized inner tubing for legs, and footpads. Labour is not covered by warranty.
- Before installing your CanadaDocks Roller Ramp examine the lake bottom carefully to ensure that the lake bottom is stable where the feet or bottom of the stringers of the CanadaDocks Roller Ramp will rest. Always wear clothing appropriate to conditions when installing, repairing or removing your CanadaDocks Roller Ramp. Monitor children carefully on or about the Roller Ramp. It is the owner's responsibility to inspect and properly maintain the Roller Ramp and surrounding area.
- The Roller Ramp is rated to take, evenly spread, up to 2500 lbs (1134 kilograms) in weight per 16' section. CanadaDocks Roller Ramp capacity is based on the total weight of the boat, motor, gasoline, and extras. Do not overload the Roller Ramp. Your warranty will not apply if your CanadaDocks Roller Ramp is improperly assembled. This warranty does not apply to damage caused by improper installation, overloading, impact by boats or other objects in the water, damage by severe weather conditions including snow or ice, or other Acts of God. CanadaDocks Inc. Recommends removing the Roller Ramp for winter storage. The warranty will not extend to repairs made by anyone other than CanadaDocks Inc.
- To receive more information or to service the obligations under this warranty, contact CanadaDocks Inc. at 1-877-434-0359 or the following mailing address:  
CanadaDocks Inc.™ 3690 Adjala-Tecumseth Townline RR2 Beeton, Ontario Canada L0G 1A0  
Website: [www.canadadocks.ca](http://www.canadadocks.ca)  
Email: [info@canadadocks.ca](mailto:info@canadadocks.ca)

## TRADEMARK

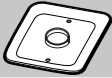
CanadaDocks ™ logo is a trademark of CanadaDocks Inc.

**IN ORDER TO VALIDATE PLEASE VISIT OUR WEBSITE:**

[www.canadadocks.ca/warranty](http://www.canadadocks.ca/warranty)

## Optional Support Legs

FTP1



1x

CB35S



1x

RLB1



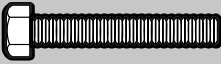
1x

NL38



3x

B214



2x

GL17



1x

EMTCAP



1x

AK1



2x

W7838



2x

## TOOLS REQUIRED:

9/16" SOCKET WITH RATCHET TO  
SUIT OR 9/16" WRENCH



OR



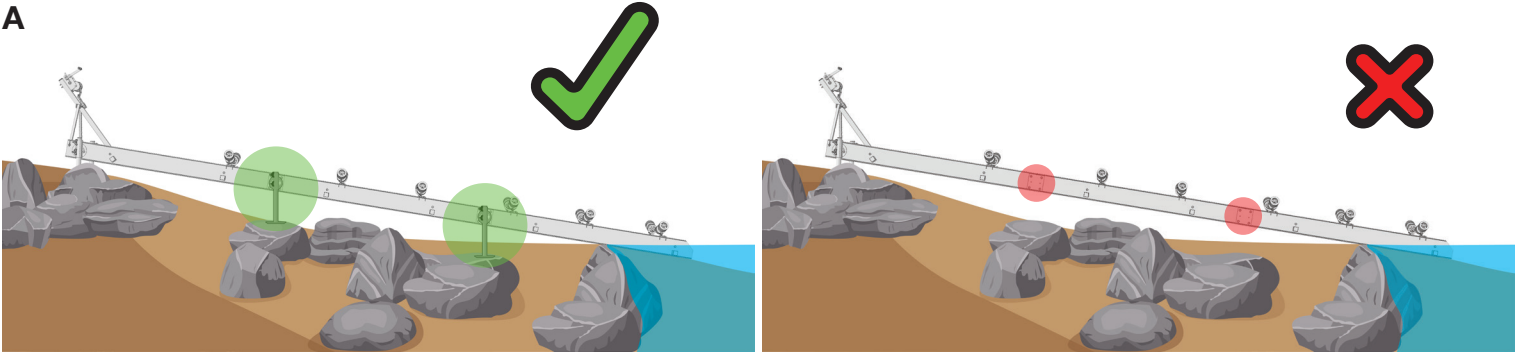
Safety Protection



HACKSAW

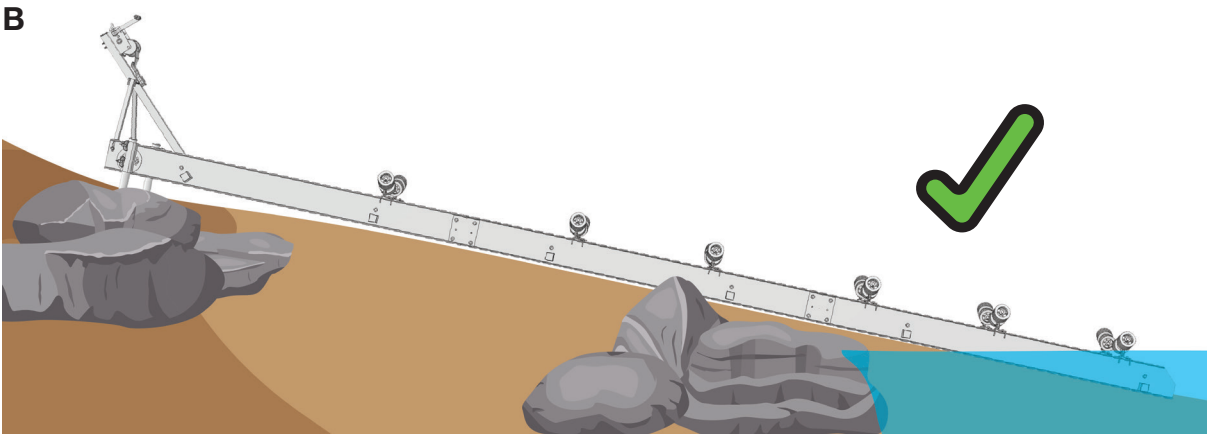


**A**



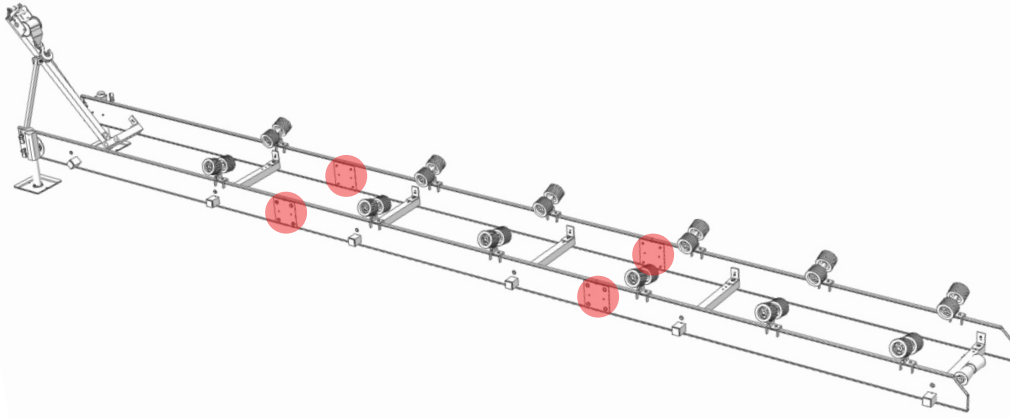
The support legs are used in situations where there is elevated space between the terrain surface and the connection plates shown in scenario **(A)**. The legs are used for extra stability in these situations where the terrain is not as flat as in scenario **(B)**.

**B**



Scenario **(B)** doesn't require the optional legs as the terrain under the roller ramp is fairly flat and doesn't need the extra stability.

# Installation Locations:

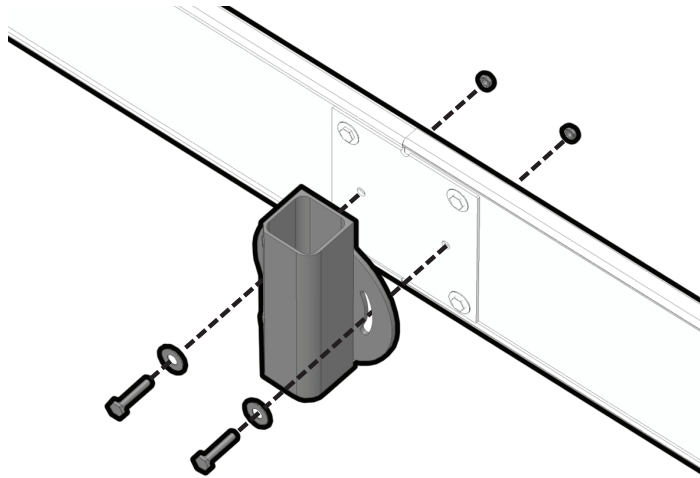


The leg placement may be located on any connection bracket on the standard, 4ft Extensions, or 8ft Extensions roller ramp sizes

**PLEASE NOTE:** The above Image showcases a roller ramp with an 8ft extension.

**1**

After determining your optional leg installation location, install the bracket.



RLB1



1x

B214



2x

W7838



2x

NL38



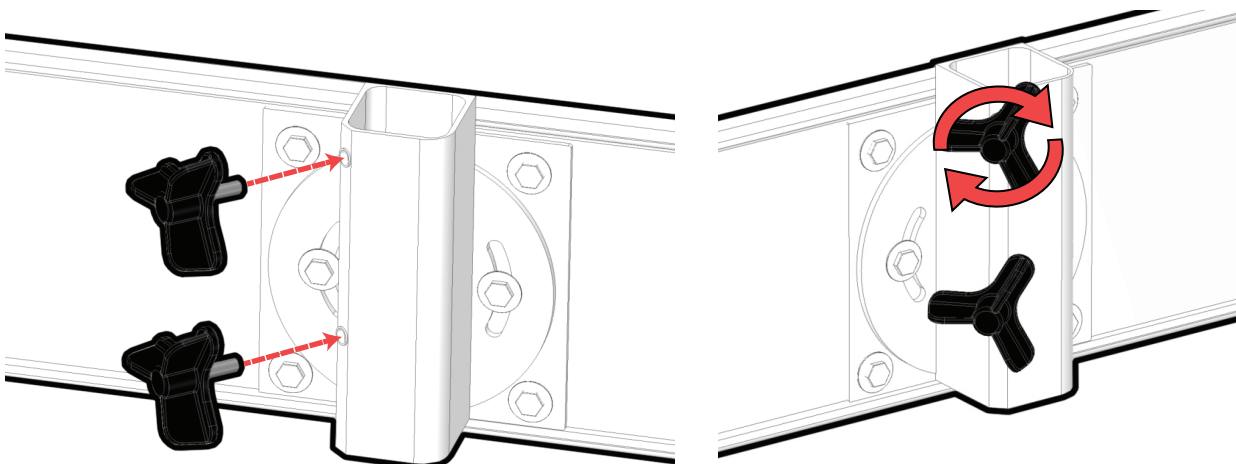
2x

**2**

AK1

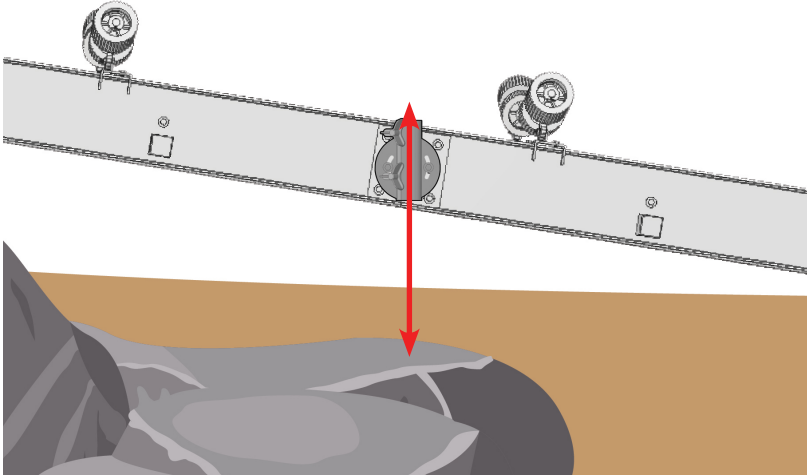


2x

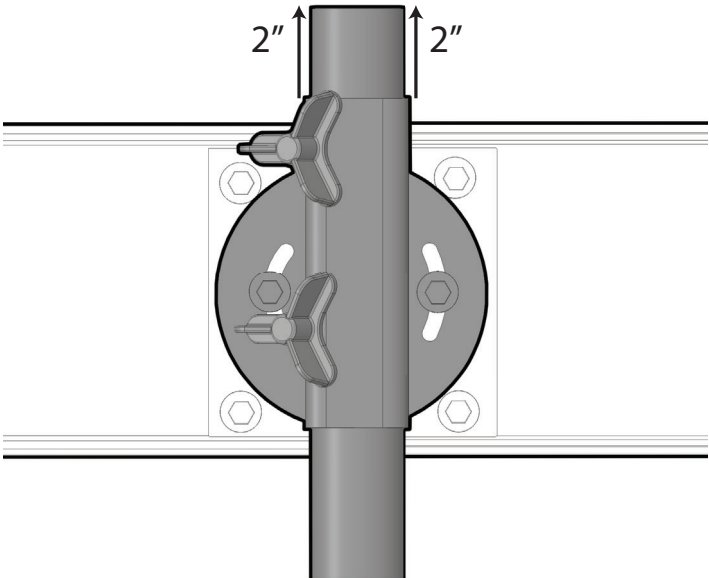


# 3

Measure the distance between the bracket and the surface underneath.

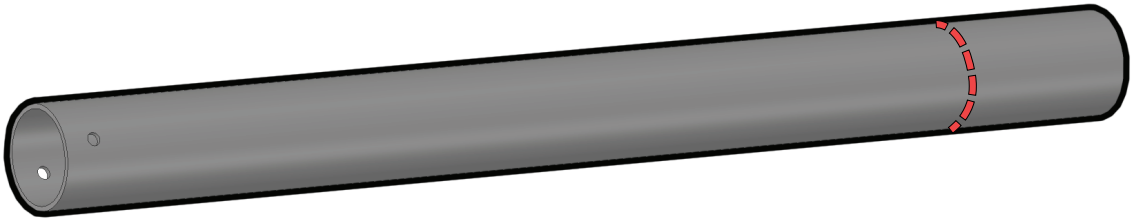



Ensure to measure at least **2"** above the top of the bracket.



This will allow for slight adjustment if needed after installing the legs.

Mark down the measurement on the leg round (GL17) with a marker, on the end **without** the bolt hole.



 Bolt Hole End

Ensure only the end without the bolt hole is cut as this hole is used to attach the foot pad in **Step 6**.

4

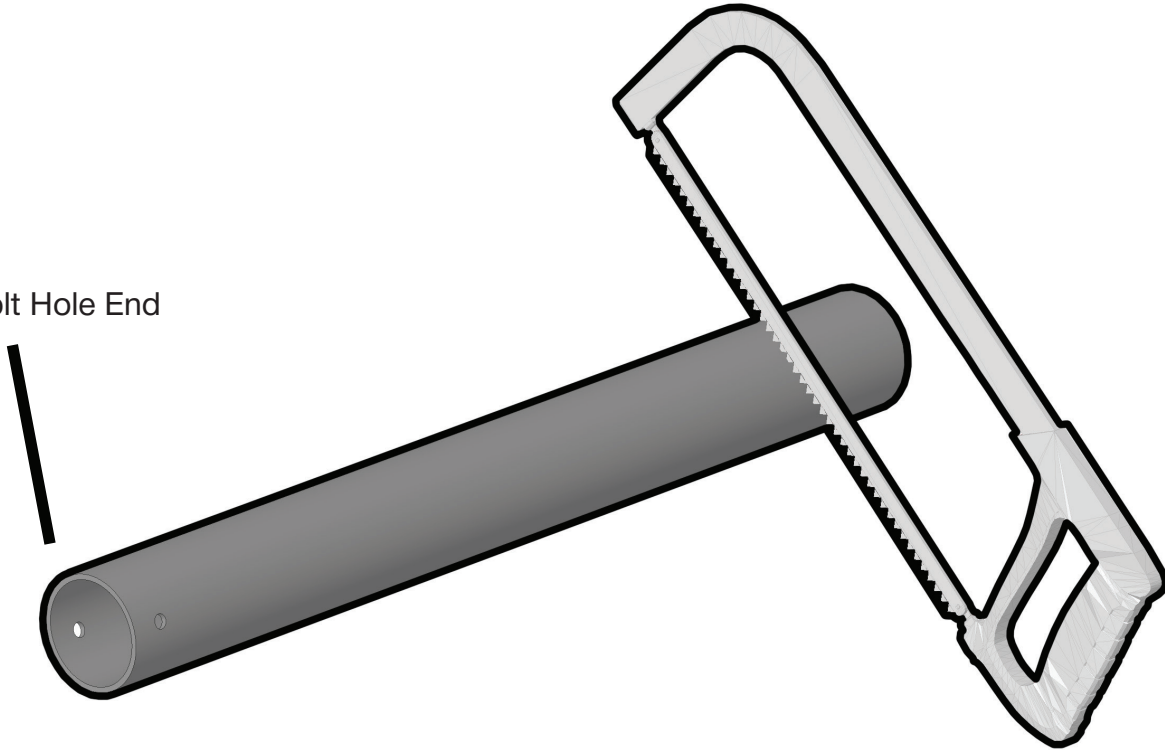
Using a hacksaw or other methods, cut the marked leg round (GL17) to the measuring found and marked in **STEP 3** if needed.

GL17



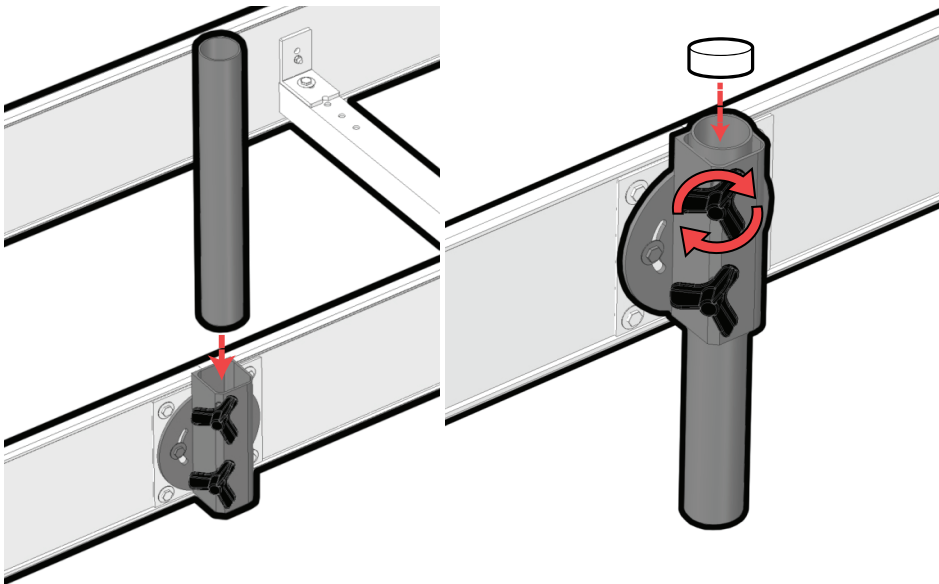
1x

Bolt Hole End



**Note:** The measurement may be different depending on the terrain for other support legs if they are needed.

5



GL17



1x

EMTCAP

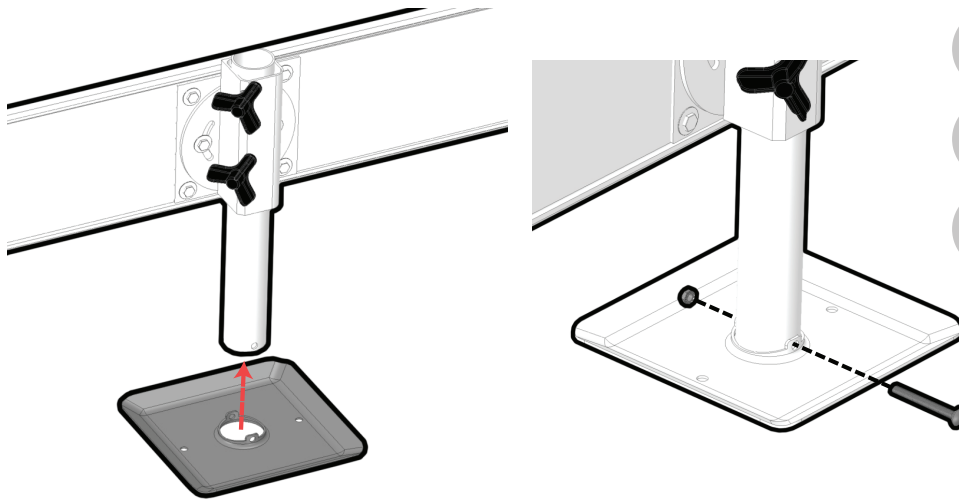




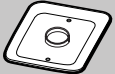
1x

Bolt hole end goes down.

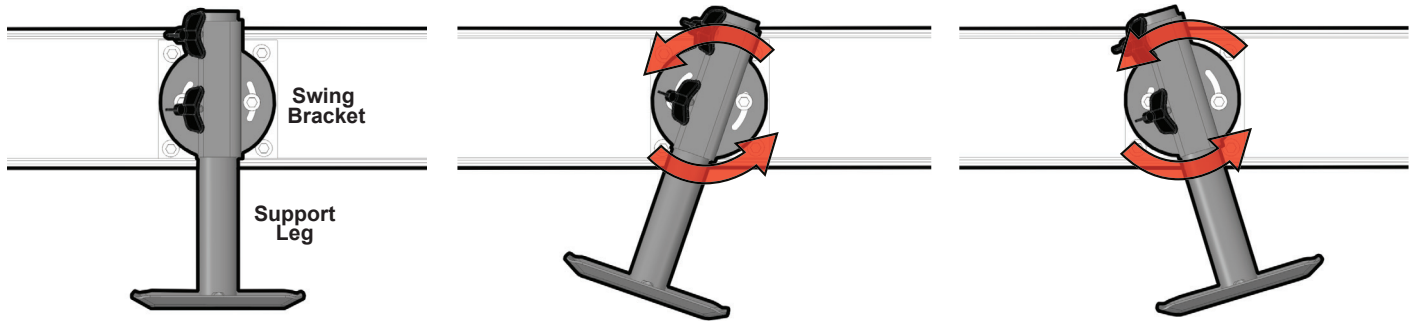
Tighten both adjustment knobs and install the (EMTCAP) on the top end.

6

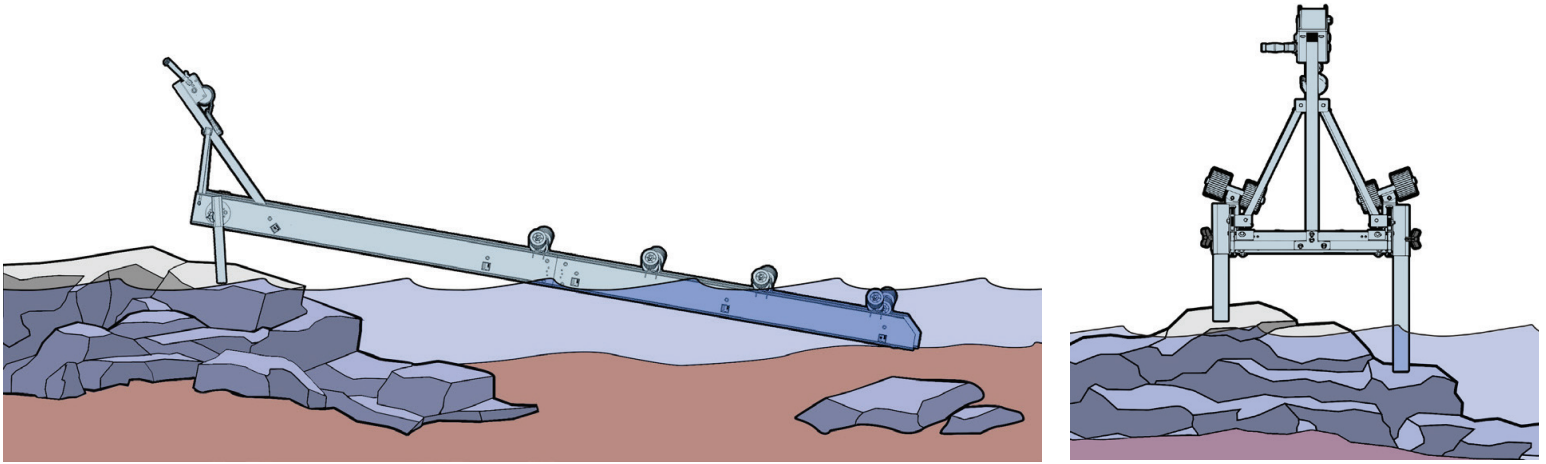


NL38		1x
CB35S		1x
FTP1		1x

7



For uneven terrain the swing brackets may be used to stabilize the roller ramp further. The legs of the swing bracket may be adjusted at different lengths to level the support legs with the terrain (**see image below**). The swing brackets may also be rotated to conform to challenging terrain (**see above image**).



Ensure that you tighten all hardware once the support legs are adjusted accordingly.

Repeat **STEPS 1-7** for any other support legs you require.

# Where *fun* on the water *begins!*

Please leave us a **Google review**



We'd love to hear from you and see your photos!



**Phone**

705.434.0359  
1.877.434.0359



**Email**

info@canadadocks.ca



**Address**

3690 Adjala-Tecumseth Tl,  
Beeton ON L0G 1A0

Rev 01 07.04.25

**CanadaDocks.ca**

