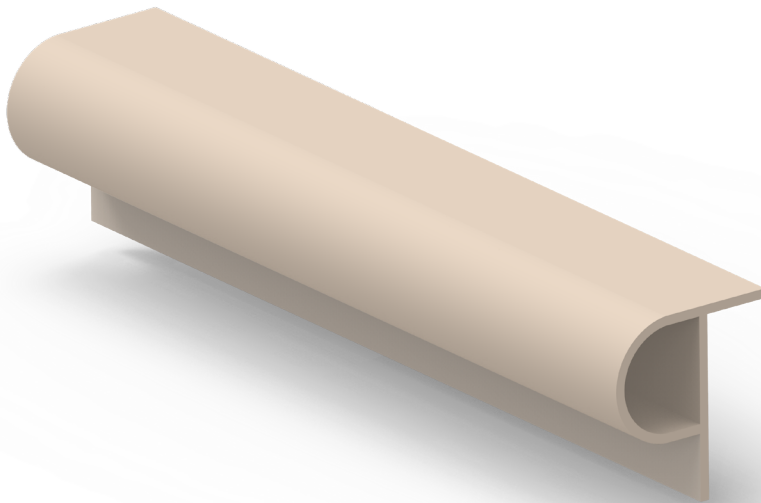


CanadaDocks™



Where *fun* on the water *begins!*

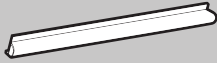


P-Bumper Installation

Read this manual and related assembly instructions before attempting to assemble the parts enclosed to ensure that your new CanadaDocks System is assembled safely and correctly.

INCLUDED IN KIT:

PB1

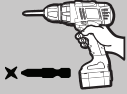


STRM1

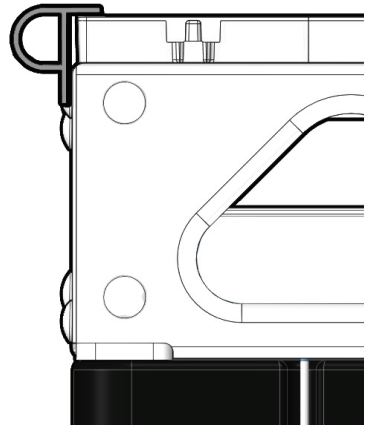
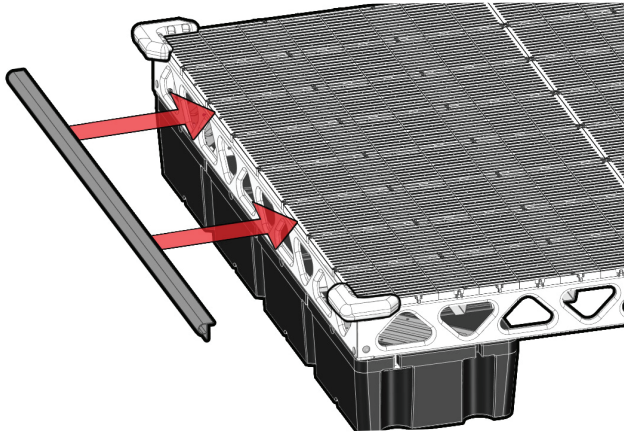


TOOLS REQUIRED:

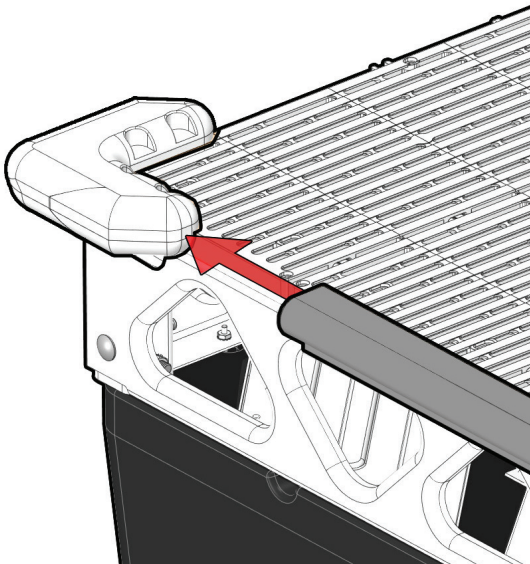
#2 PHILLIPS
DRILL BIT W/DRILL



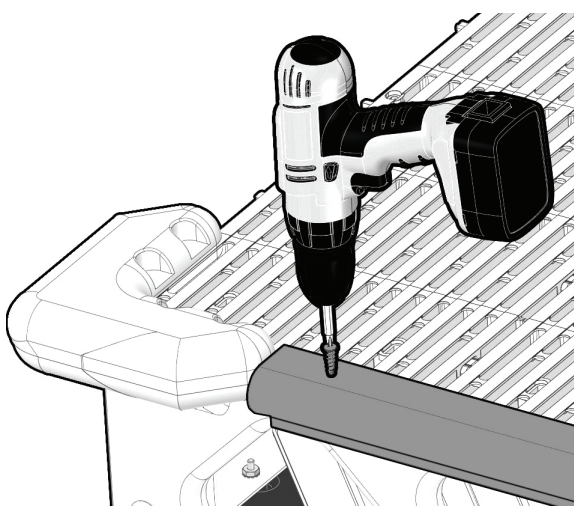
1



Place your length of P-Bumper against the side of the dock where it will be installed.



2

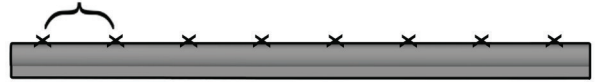


STRM1

Approximately every

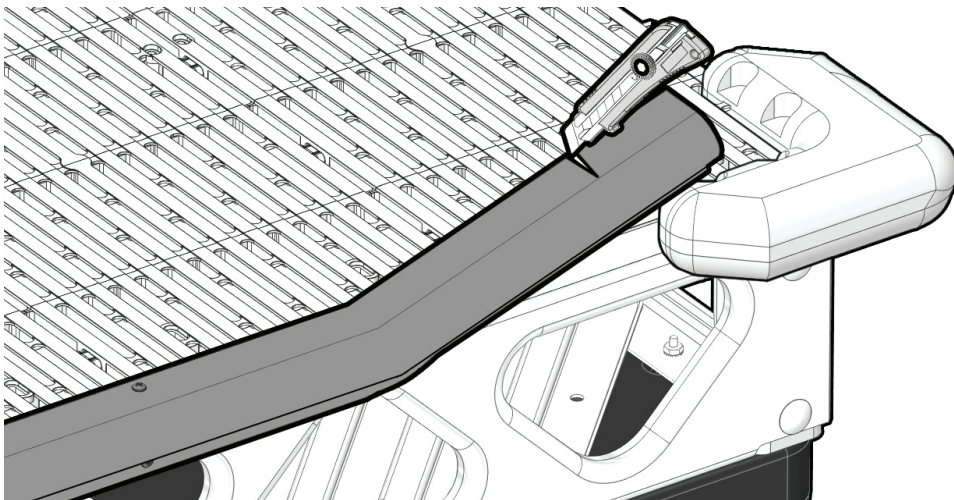


10 - 12 inches



Place and drill your initial screws, 2 inches from the end and then continue screwing every 10-12 inches into the P-Bumper.

3



Cut any excess to provide a snug fit against the corner bumper or the edge of the dock. Repeat **STEPS 1-2** for all additional P-Bumpers added to the dock.

Where *fun* on the water *begins!*

Please leave us a **Google review**



We'd love to hear from you and see your photos!



Phone

705.434.0359
1.877.434.0359



Email

info@canadadocks.ca



Address

3690 Adjala-Tecumseth Tl,
Beeton ON L0G 1A0

CanadaDocks.ca

