

# CanadaDocks™



Where *fun* on the water *begins!*



## Quick Link Installation

Read this manual and related assembly instructions before attempting to assemble the parts enclosed to ensure that your new CanadaDocks System is assembled safely and correctly.

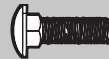
## INCLUDED IN KIT:

WN38



2x

CB15S



2x

QLB2  
I-BRACKET



2x

QLB1  
L-BRACKET



2x

NL38



4x

## Tools Required:

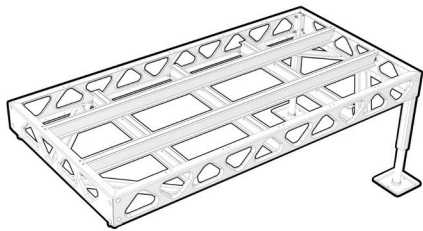
9/16" SOCKET WITH RATCHET TO  
SUIT OR 9/16" WRENCH



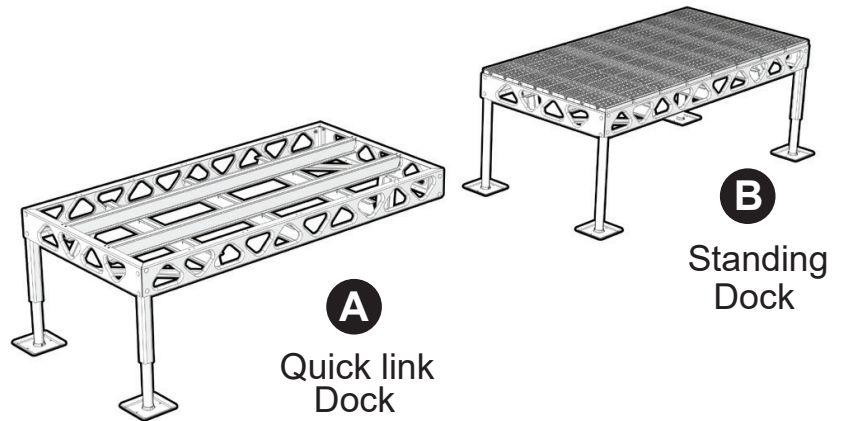
OR



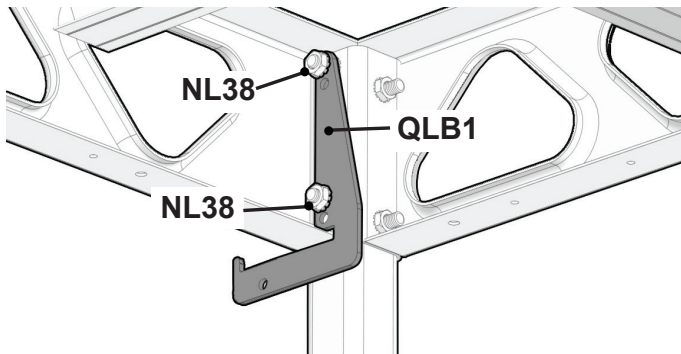
1



Assemble **CanadaDocks™** frame according to instructions. **Do not install decking at this time.**



2



Position the "L" shaped bracket (**QLB1**) on top of the existing locknut's. Fasten the L-bracket with the provided locknuts (**NL38**). Repeat **STEP 3** for the opposite side of the dock.

QLB1  
L-BRACKET

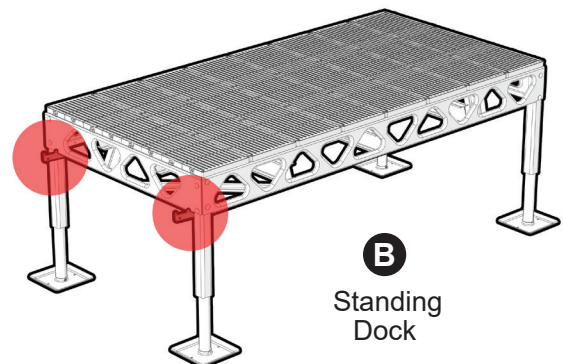


2x

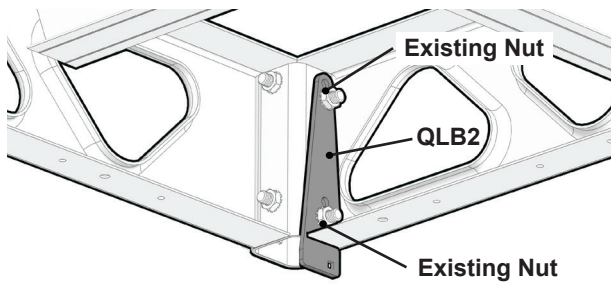
NL38



4x

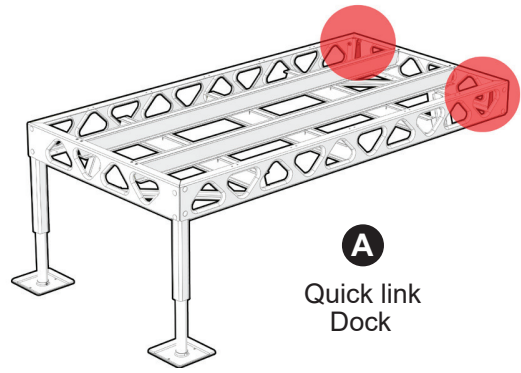


3

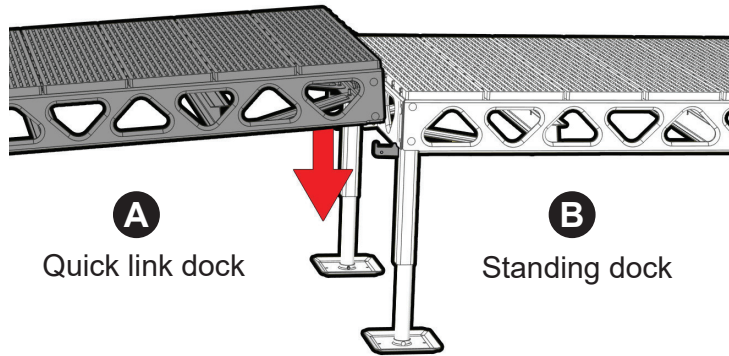
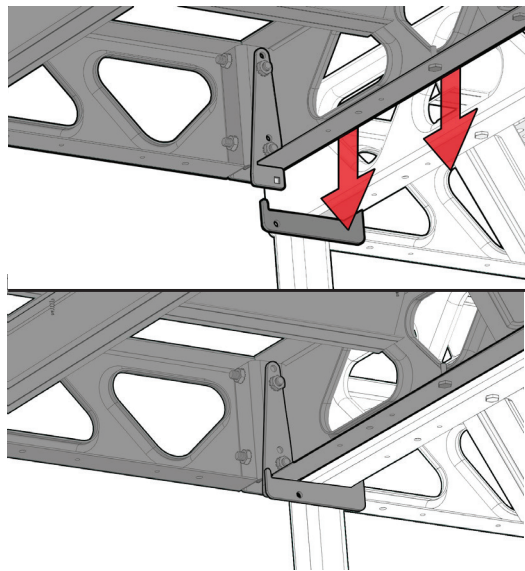


QLB2  
I-BRACKET 2x

Lay out your roller ramp components in a flat area for assembly. Lay out your roller ramp components in a flat area for assembly. Lay out your roller ramp components in a flat area for assembly.

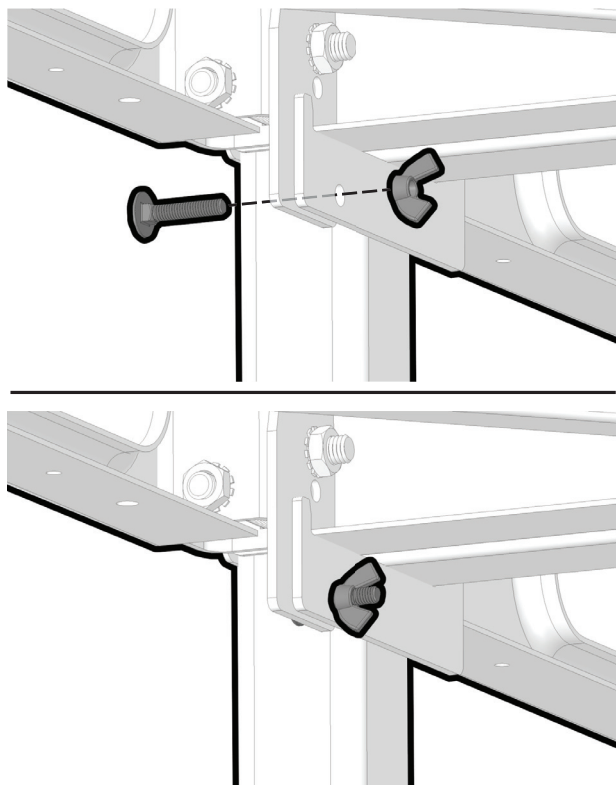


4



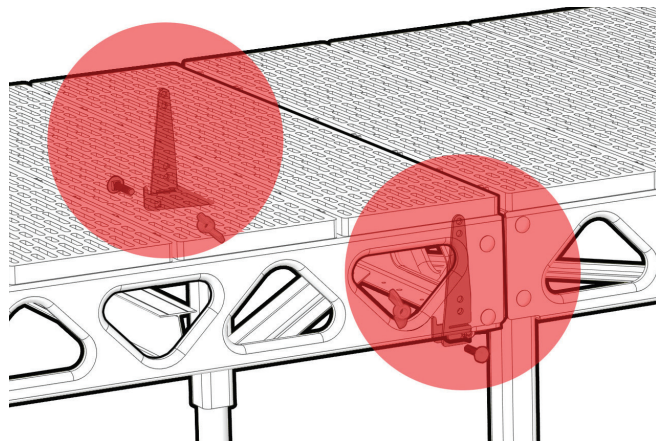
Decking can now be installed on your dock. After decking has finished you may lower the quick link dock onto the “L” shaped brackets (QLB1) on the existing **A** dock. **B**

5



WN38 2x

CB15S 2x



Align holes of both brackets and insert bolt (CB15S). Fasten bolt with wingnut (WN38). Repeat **STEP 5** for the opposite side of the dock.

# Where *fun* on the water *begins!*

Please leave us a **Google review**



We'd love to hear from  
you and see your photos!



**Phone**

705.434.0359  
1.877.434.0359



**Email**

info@canadadocks.ca



**Address**

3690 Adjala-Tecumseth Tl,  
Beeton ON L0G 1A0

Rev 12 25.11.24

**CanadaDocks.ca**

