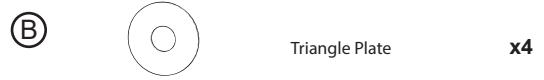
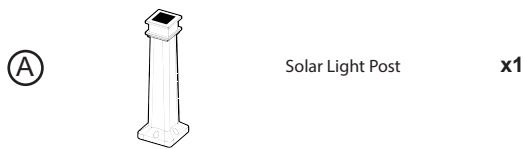
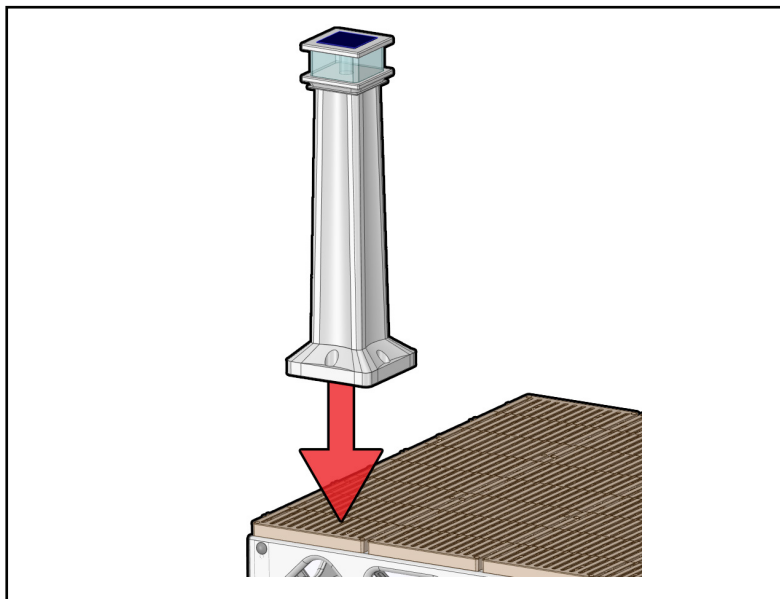
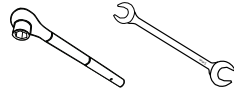


INCLUDED IN KIT:

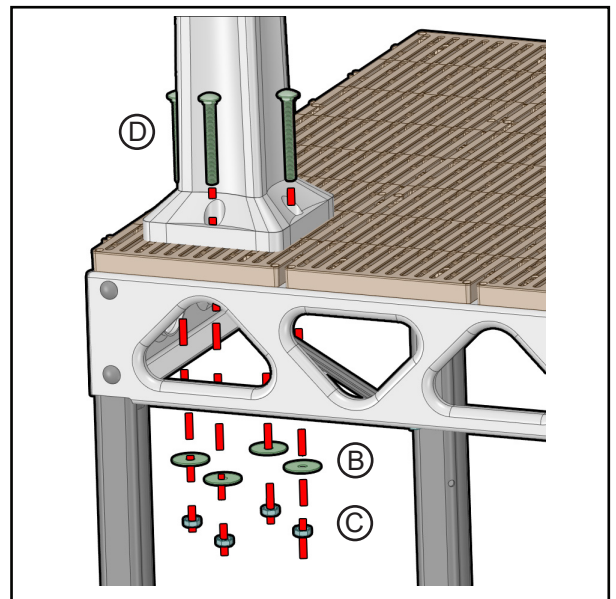


TOOLS REQUIRED:

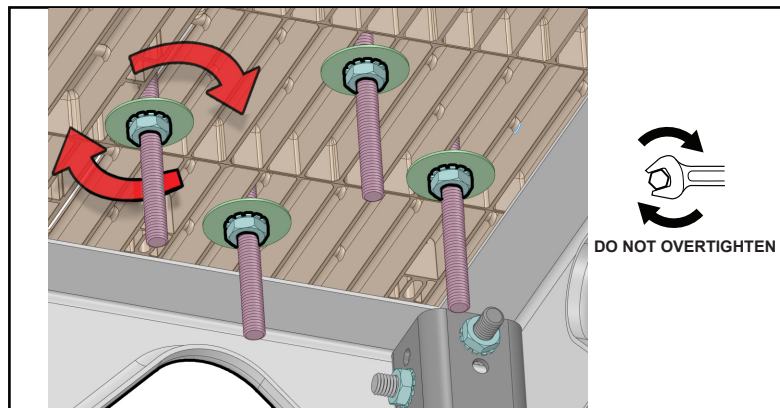
9/16 SOCKET WITH RATCHET TO SUIT



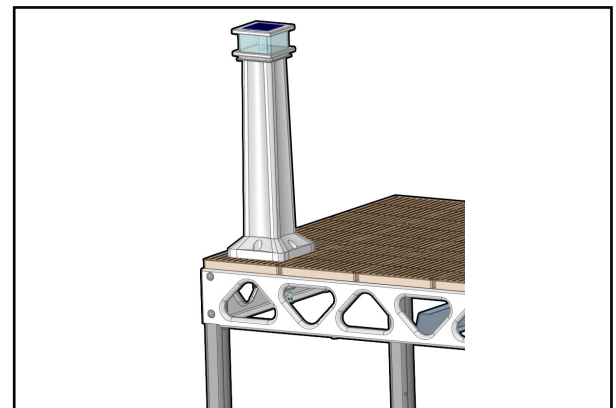
Find an appropriate spot on your dock that will accommodate the Solar Light Post (A) and not be in the way or interfere with other dock added accessories.



Insert 4 Carriage Bolts 3/8" x 3 1/2" (D) into the holes on the Solar Light Post (A) and through the decking. Install Solar Light Post (A) using Carriage Bolts (D), Washers (B), and Lock Nuts (C), see above image for reference.



Tighten all 4 locks nuts from below the decking until Solar Light Post is secure. **PLEASE NOTE:** Do not overtighten the nuts and bolts as this could cause damage to your dock.



Enjoy!