

CanadaDocks™



Where *fun* on the water *begins!*



Stairs Installation

Read this manual and related assembly instructions before attempting to assemble the parts enclosed to ensure that your new CanadaDocks System is assembled safely and correctly.

PRODUCT WARRANTY

- CanadaDocks Inc.™ Warrants all products to be free of defects in workmanship and material under normal conditions and for which use they are intended. CanadaDocks Inc.™ Shall not be liable for any incidental, consequential or special damages, without limitation any lost profits, business interruption, loss of opportunity or loss of revenue, resulting from the misuse of CanadaDocks Inc.™ Products and does not assume any liability of purchaser or others for injury to persons or property. CanadaDocks Inc. Makes no express or implied warranties other than the warranties set forth herein, including without limitation, the warranties of merchantability, fitness for a particular purpose, or from any trade usage.
- CanadaDocks Inc.™ Warrants its CanadaDocks™ dock frames, purchased new, to be free of defects in its structure for 25 years. This warranty covers defective parts on the CanadaDocks™ aluminum frames only (trusses, joists, square aluminum legs and corner braces). Any defective product must be returned with a Return Goods Authorization # before being delivered to CanadaDocks Inc.™ A copy of the original sales receipt, must accompany all claims. The freight on the defective goods is the responsibility of the consumer. Obligation under this warranty is limited to repair, replacement, or credit for the defective product, provided that CanadaDocks Inc. Determines that the product defect was not the result of misuse or neglect. Freight on the repaired or replaced products is the responsibility of the consumer.
- Some States and/or Provinces do not allow the limitation of incidental or consequential damages, or on the duration of an implied warranty so the above limitations or exclusions may not apply to you. This warranty may vary from State to State or Province to Province. This warranty gives you specific legal rights and you may also have other rights which vary from State to State or Province to Province.
- This warranty does not extend to anyone except the original buyer. This warranty does not apply to decking materials, fasteners, hardware, floats, galvanized inner tubing for legs, footpads and dock accessories which may carry their own warranty. Labour not covered by warranty.
- Before installing your CanadaDocks™ examine the lake bottom carefully to ensure that the lake bottom is stable where the feet of the CanadaDocks™ will rest. Always wear clothing appropriate to conditions when installing, repairing or removing your CanadaDocks™. Monitor children carefully on or about the dock. It is the owner's responsibility to inspect and properly maintain the dock and surrounding area.
- Your CanadaDocks™ structure is rated to take, evenly spread, up to 1000 lbs (453 kilograms) in weight per standing section. CanadaDocks™ Floating docks capacity is based on the buoyancy of the floats. Do not overload the dock. Your warranty will not apply if your CanadaDocks™ is improperly assembled or attached to the shore. This warranty does not apply to damage caused by improper installation, overloading, impact by boats or other objects in the water, damage by severe weather conditions including snow or ice, insufficient anchoring or other Acts of God. CanadaDocks Inc.™ Recommends removing the dock for winter storage. The warranty will not extend to repairs made by anyone other than CanadaDocks™ Inc.
- To receive more information or to service the obligations under this warranty, contact CanadaDocks Inc.™ at 1-877-434-0359 or at the following mailing address:
CanadaDocks Inc.™ 3690 Adjala-Tecumseth Townline RR2 Beeton, Ontario Canada L0G 1A0
Website: www.canadadocks.ca
Email: info@canadadocks.ca

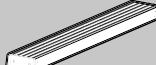
TRADEMARK

CanadaDocks™ logo is a trademark of CanadaDocks Inc.

IN ORDER TO VALIDATE PLEASE VISIT OUR WEBSITE:

www.canadadocks.ca/warranty

INCLUDED IN KIT:


SS1  *x

*6x Step Slats (3 Step Model)

*8x Step Slats (4 Step Model)

*10x Step Slats (5 Step Model)

*12x Step Slats (6 Step Model)


B2558  **x


**6x (3 Step Model)

**8x (4 Step Model)

**10x (5 Step Model)


**12x (6 Step Model)

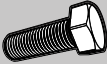
SSF1  1x

SSF2  1x

TPU1  2x

NL38  2x


FP1  2x

B3875  4x

CB35S  2x

GL10  2x

AK1  8x


SLEG1  2x

Optional Guard Rail Parts:

SHR1  1x

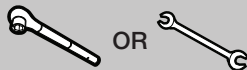
AK1  4x

SLEG1  1x

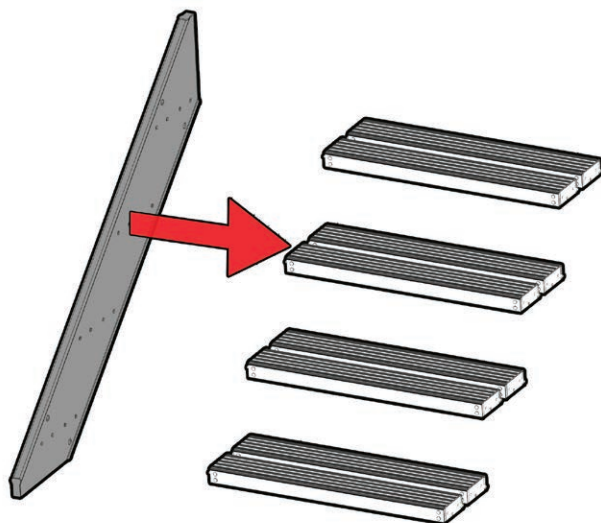
B3875  2x


Tools Required:

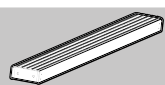
7/16" SOCKET WITH RATCHET TO
SUIT OR 7/16" WRENCH



1




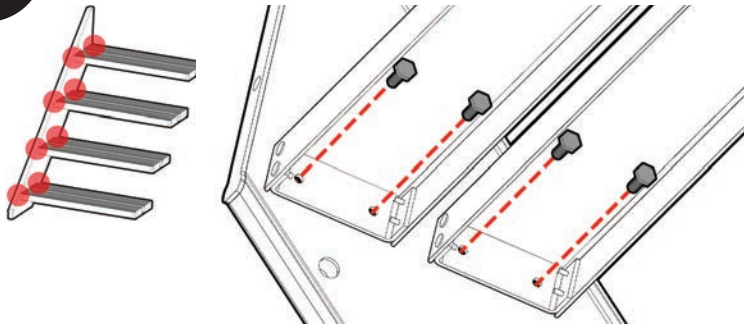
SSF1  1x

SS1  8x

The 4 step model is used for demonstration purposes in these instructions. All following instructions are also applicable to 3,5 and 6 step models.


2

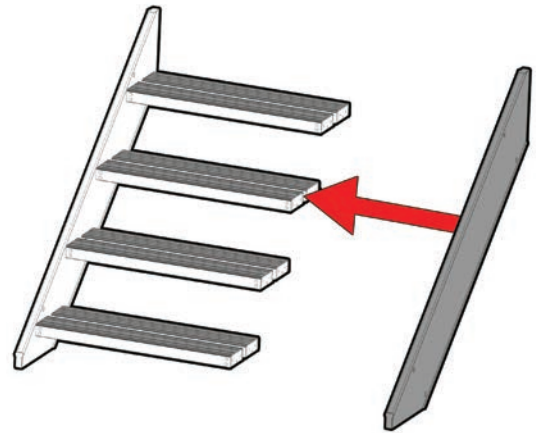
B2558  16x




Repeat for all steps.

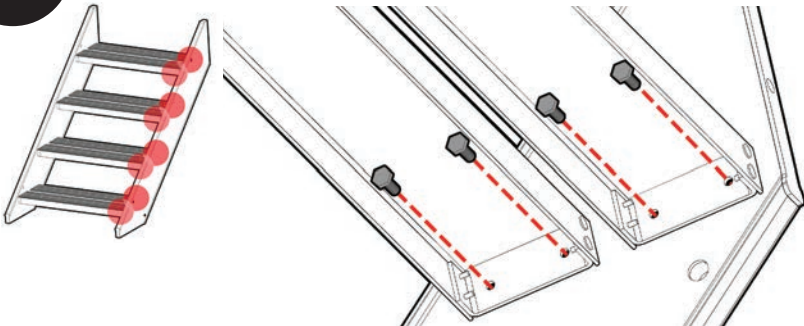
3

SSF2  1x



4

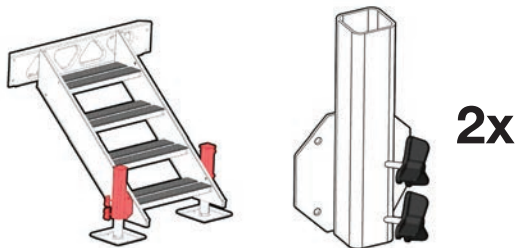
B2558  16x




Repeat for all steps.

5

If you purchased stairs without the guard rail:

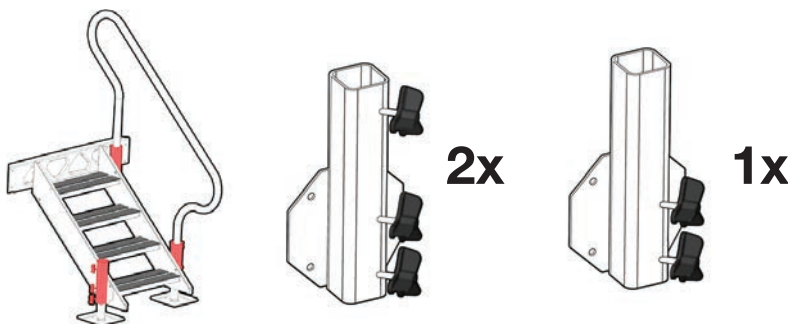


AK1 

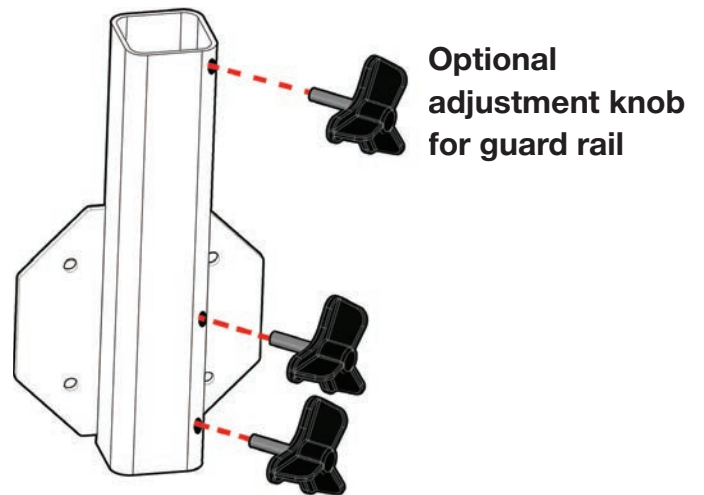
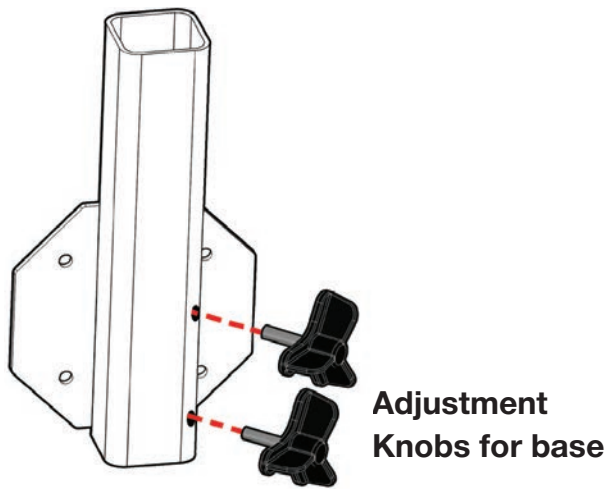
SLEG1 

Assemble 2 brackets with 2 adjustment knobs added to the base of each.

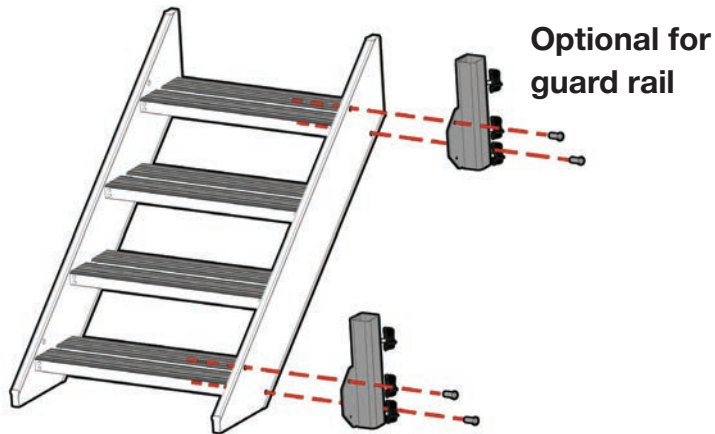
If you purchased stairs with the guard rail:



Assemble 2 brackets with 3 adjustment knobs and 1 bracket with 2 adjustment knobs added to the base of each.

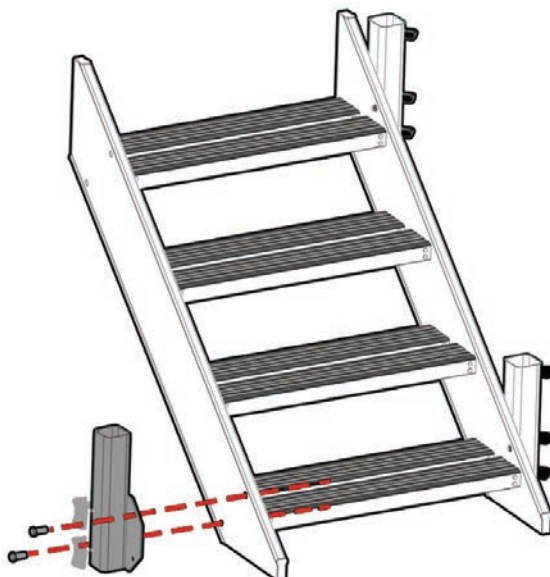



6




PLEASE NOTE: The top railing bracket may be moved to the opposite side depending on your preference for a right or left-handed guard rail.


7





B3875  2x

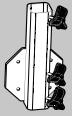
Leg Bracket Assembly  1x

With optional guard rail:

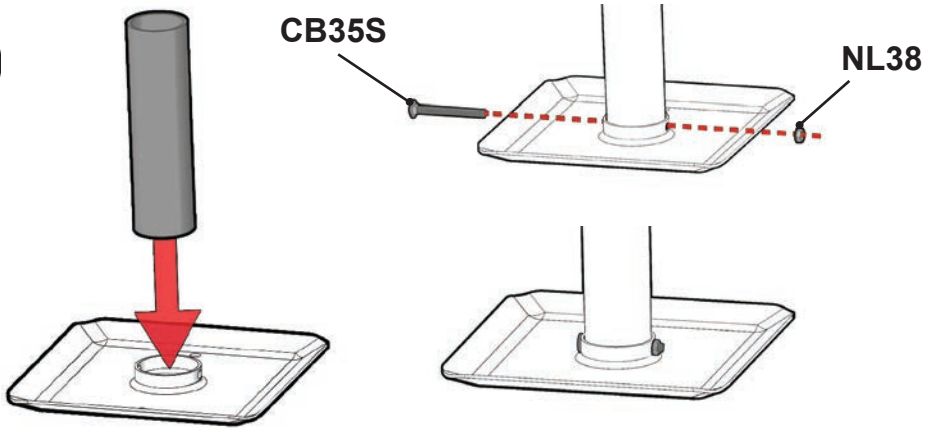
B3875  4x





Leg Bracket Assembly  2x

B3875  2x

Leg Bracket Assembly  1x

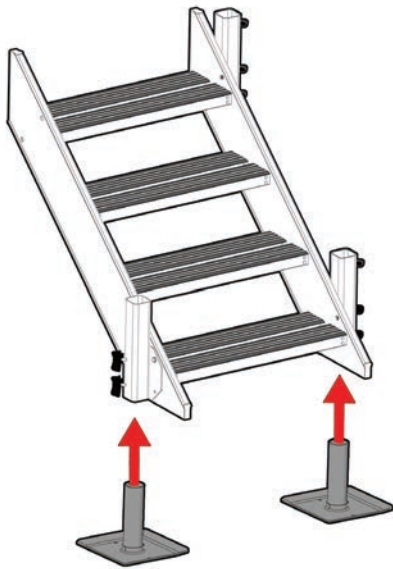
8



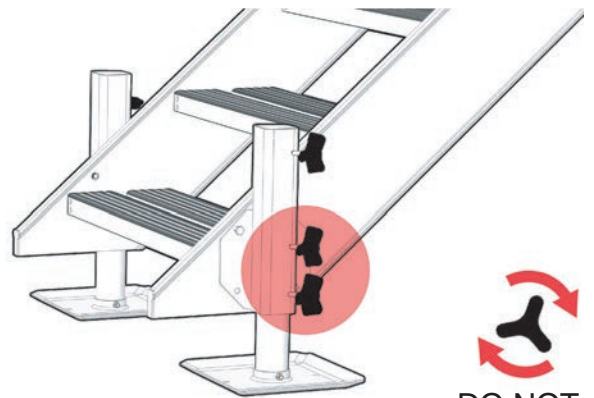
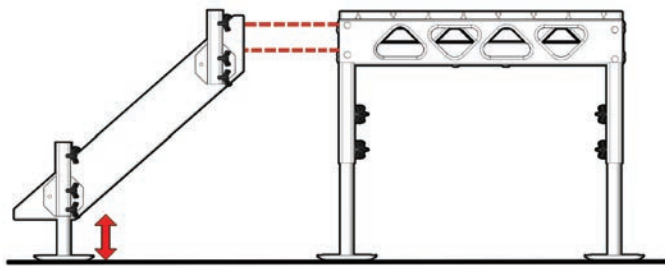
GL10		2x
CB35S		2x
NL38		2x
FP1		2x

Repeat for both legs.

9



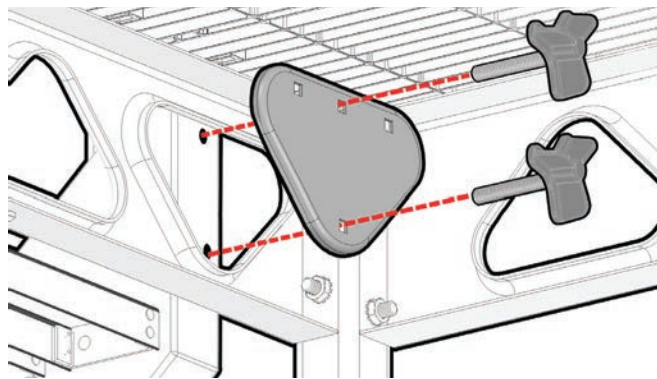
10





DO NOT
OVERTIGHTEN

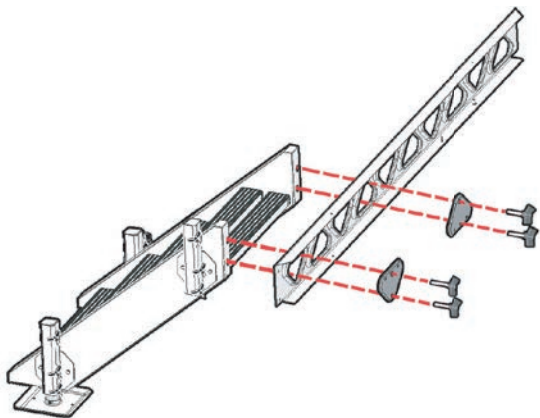
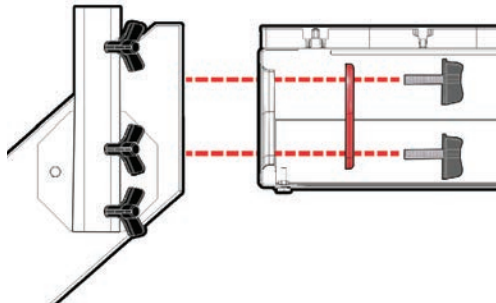
Adjust the legs so that the top of the stairs frame sits approximately at the same height as the dock (**see image above**). Keeping the stairs level to the dock will make it easier for installation. After the legs are set, snug the adjustment knobs.

11



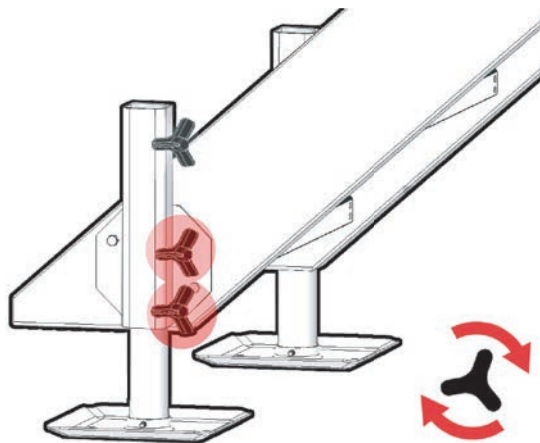
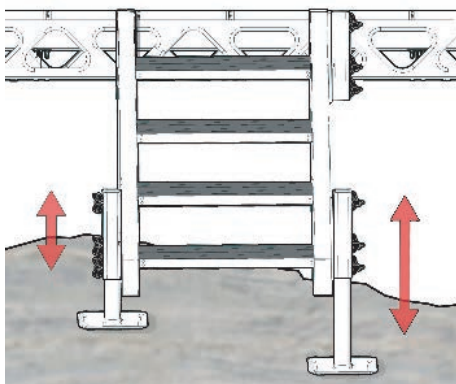
TPU1  2x

AK1  4x



PLEASE NOTE: The dock in the image to the left has been hidden except for the truss to better illustrate the process.

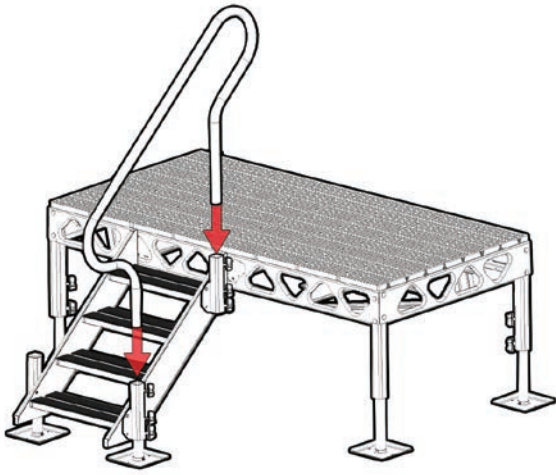
12



Re-adjust the legs according to your lake bed conditions (see image above). When the correct leg height is achieved, tighten the adjustment knobs to secure.

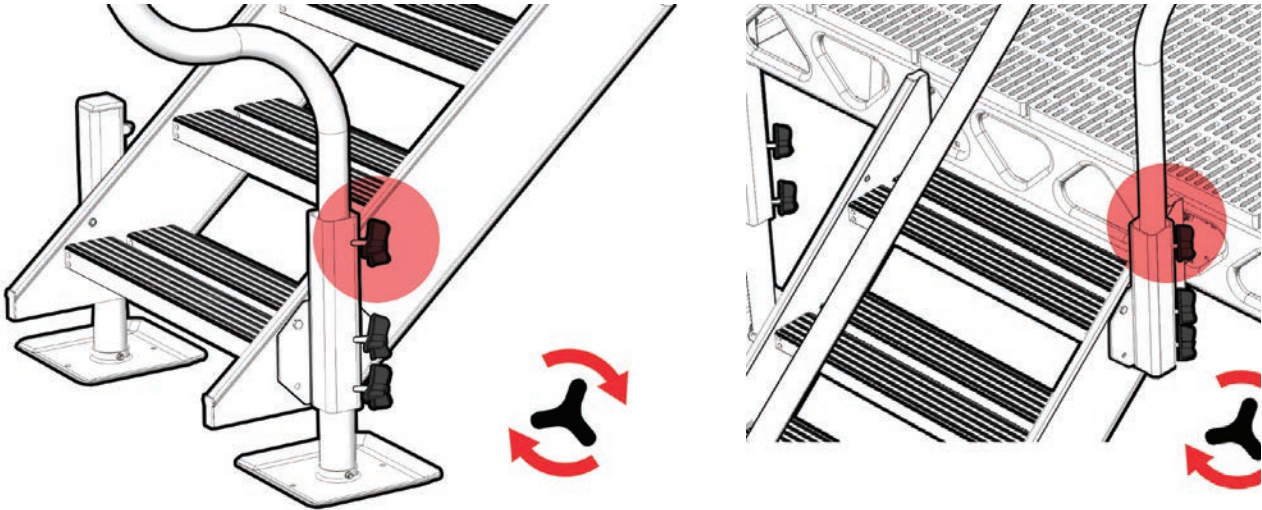
DO NOT OVERTIGHTEN

13



If you have the optional guard rail and have installed the second bracket to accommodate it then install the rail as seen above.

14



Tighten the adjustment knobs on both brackets holding the guard rail.

PLEASE NOTE: Before using, ensure all hardware is tightened.

Where *fun* on the water *begins!*

Please leave us a **Google review**



We'd love to hear from
you and see your photos!



Phone

705.434.0359
1.877.434.0359



Email

info@canadadocks.ca



Address

3690 Adjala-Tecumseth Tl,
Beeton ON L0G 1A0

Rev 11 14.11.24

CanadaDocks.ca

